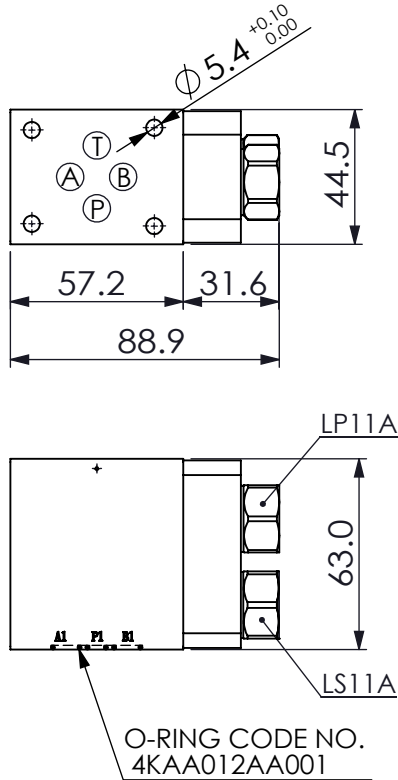
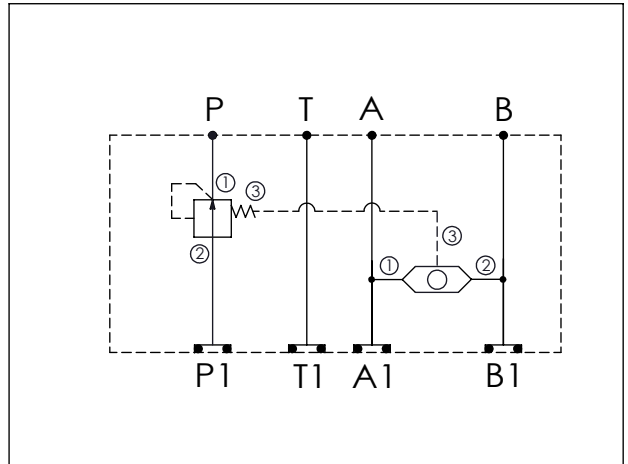


Ordering Code: **MH03KPR-X-Y-Z 03**
 Stack Height : 63.0mm



UNIT:mm



TECHNICAL DATA

Aluminum Body Pressure Rating: 210 bar

Ductile Iron

Body Pressure Rating: 350 bar

Rated flow: 40 l/min

Cartridge Valve:

Refer to LP11A-X-Y-Z

LS11A-X-Y-Z

* Refer to Winner Cartridge Valves Catalog.

Aluminum	0.45 kg(WITHOUT VALVES) 0.75 kg(INCLUDE VALVES)
----------	--

Ductile Iron	1.3 kg(WITHOUT VALVES) 1.6 kg(INCLUDE VALVES)
--------------	--

* If you need the special specification.
Please contact us.

Y	SELECTION FOR SHUTTLE VALVE
11A3	CAVITY ONLY(WITHOUT VALVE)
LS3N	LS11A33NN(10LPM,350bar)

X	SELECTION FOR LOGIC ELEMENT
11A3	CAVITY ONLY(WITHOUT VALVE)
LP35	LP11A3035N(60LPM,3.5bar)
LP70	LP11A3070N(60LPM,7.0bar)
LP100	LP11A30100N(60LPM,10.0bar)
LP140	LP11A30140N(60LPM,14.0bar)
Please refer to the list price of cartridge program.	

Please refer to the list price of cartridge program.

Z	BODY MATERIAL
A	HIGH-STRENGTH ALUMINUM
S	DUCTILE IRON