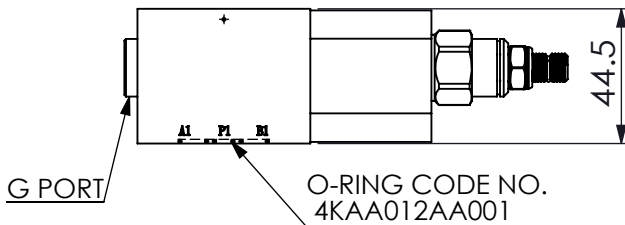
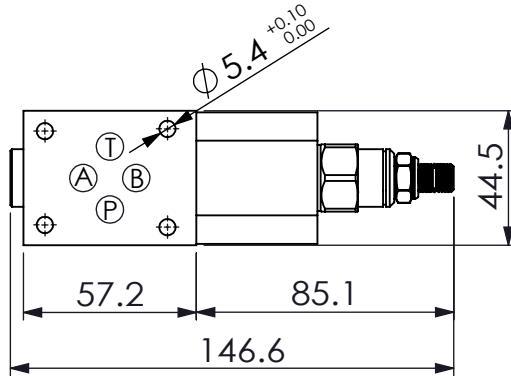
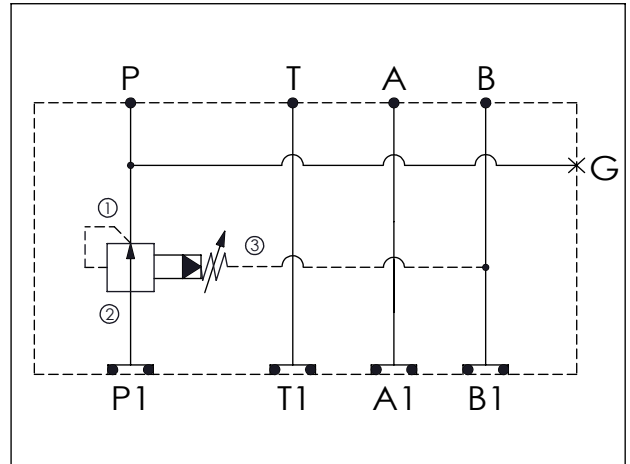


Ordering Code: **MH03PAP-X-Y-Z 01**
 Stack Height : 44.5mm



UNIT:mm



TECHNICAL DATA

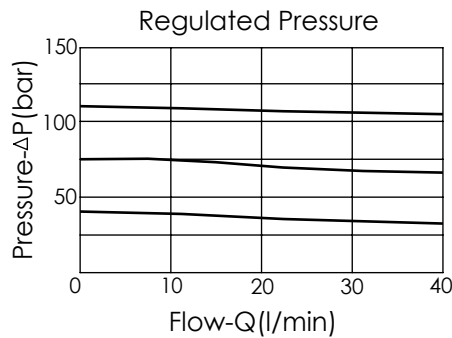
Aluminum Body Pressure Rating: 210 bar
 Ductile Iron
 Body Pressure Rating: 350 bar

Rated flow: 40 l/min

Cartridge Valve:
 Refer to PB11A-X-Y-Z
 * Refer to Winner Cartridge Valve Catalog.

Aluminum	0.45 kg(WITHOUT VALVE) 0.6 kg(INCLUDE VALVE)
Ductile Iron	1.2 kg(WITHOUT VALVE) 1.35 kg(INCLUDE VALVE)

* If you need the special specification.
 Please contact us.



X	SELECTION FOR G PORT	
G02	G 1/4"(Metric)	
N02	NPT 1/4"(U.S. Units)	

Y	SELECTION FOR B PORT CONTROL
11A3	CAVITY ONLY(WITHOUT VALVE)
PB0A	PB11A30AL (40LPM , 7-210bar)

Z	BODY MATERIAL	
A	HIGH-STRENGTH ALUMINUM	
S	DUCTILE IRON	

Please refer to the list price of cartridge program.