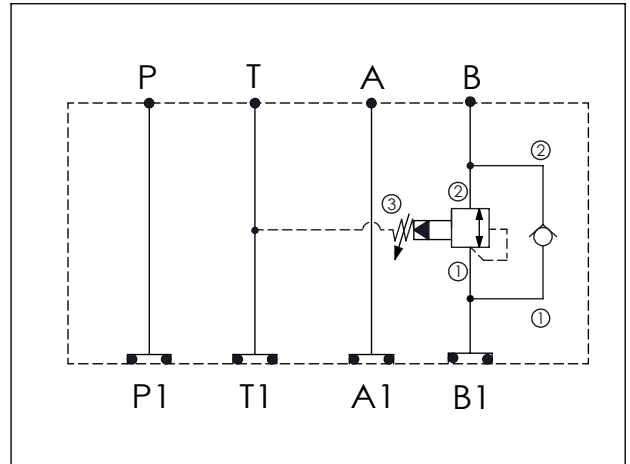


Ordering Code: **MH03PBC-X-Y-Z01**

Stack Height : 44.5mm

UNIT:mm



TECHNICAL DATA

Aluminum Body Pressure Rating: 210 bar

Ductile Iron

Body Pressure Rating: 350 bar

Rated flow: 40 l/min

Cartridge Valve:

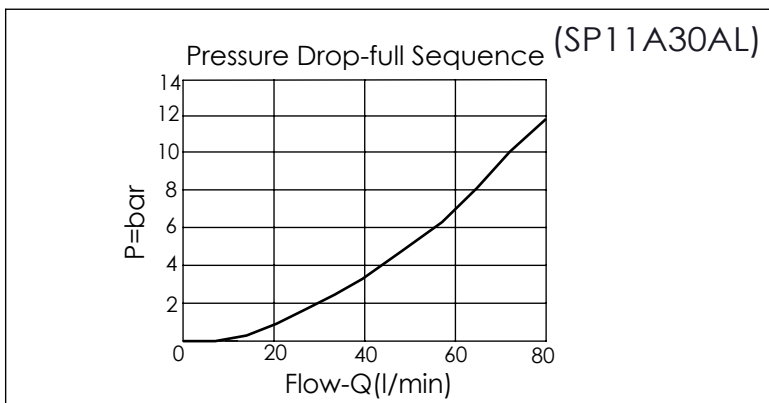
Refer to CV13A-X-Y-Z

SP11A-X-Y-Z

* Refer to Winner Cartridge Valves Catalog.

| | |
|--------------|--|
| Aluminum | 0.46 kg(WITHOUT VALVES) 0.71 kg(INCLUDE VALVES) |
| Ductile Iron | 1.33 kg(WITHOUT VALVES) 1.58 kg(INCLUDE VALVES) |

* If you need the special specification.
Please contact us.



| | |
|--|----------------------------------|
| X | SELECTION FOR CHECK VALVE |
| 13A2 | CAVITY ONLY(WITHOUT VALVE) |
| CV2120 | CV13A2120N (60LPM , 2.0bar) |
| Please refer to the list price of cartridge program. | |

| | |
|--|-------------------------------------|
| Y | SELECTION FOR B PORT CONTROL |
| 11A3 | CAVITY ONLY(WITHOUT VALVE) |
| SP0A | SP11A30AL (60LPM , 7-210bar) |
| Please refer to the list price of cartridge program. | |

| | |
|----------|------------------------|
| Z | BODY MATERIAL |
| A | HIGH-STRENGTH ALUMINUM |
| S | DUCTILE IRON |