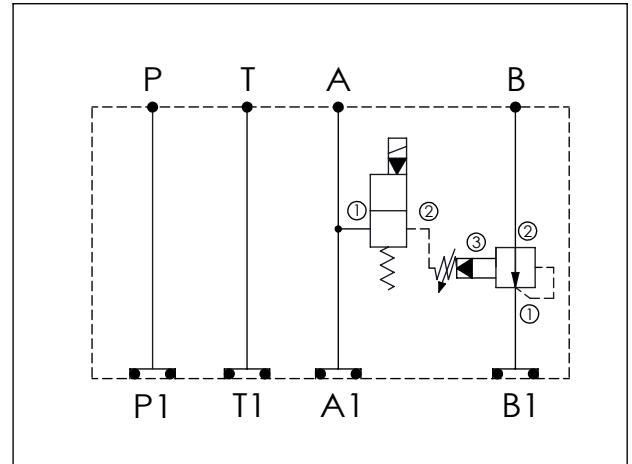


Ordering Code:	<b>MH03PBE-X-Y-Z01</b>
Stack Height :	44.5mm

UNIT:mm



### TECHNICAL DATA

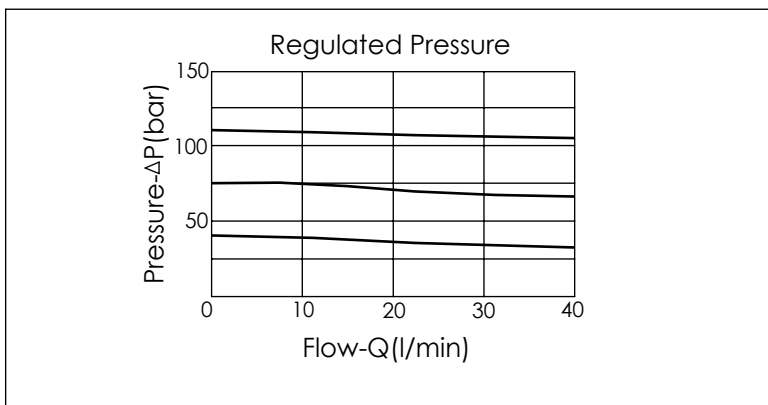
Aluminum Body Pressure Rating: 210 bar  
 Ductile Iron  
 Body Pressure Rating: 350 bar

Rated flow: 40 l/min

Cartridge Valve:  
 Refer to EP08W-X-Y-Z  
 PB11A-X-Y-Z  
 \* Refer to Winner Cartridge Valve Catalog.

Aluminum	0.45 kg(WITHOUT VALVES)
	0.75 kg(INCLUDE VALVES ,WITHOUT COIL)
DUCTILE IRON	1.32 kg(WITHOUT VALVES)
	1.62 kg(INCLUDE VALVES ,WITHOUT COIL)

\* If you need the special specification. Please contact us.



Y	SELECTION FOR B PORT CONTROL
<b>11A3</b>	CAVITY ONLY(WITHOUT VALVE)
<b>PB0A</b>	PB11A30AL (40LPM , 7-210bar)

Please refer to the list price of cartridge program.

X	SELECTION FOR SOLENOID VALVES (REFER TO EP08W-X-Y-Z)
<b>08W2</b>	CAVITY ONLY(WITHOUT VALVE)
<b>EP01</b>	EP08W2A01N05 , 40LPM,350bar (NORMALLY CLOSED,WITHOUT COIL)
<b>EP02</b>	EP08W2A02N05 , 40LPM,350bar (NORMALLY OPEN,WITHOUT COIL)
<b>EP01M</b>	EP08W2A01M05 , 40LPM,350bar(NORMALLY CLOSED WITH KNOB STYLE MANUAL OVERRIDE,WITHOUT COIL)
<b>EP02P</b>	EP08W2A02P05 , 40LPM,350bar(NORMALLY OPEN WITH PUSH STYLE MANUAL OVERRIDE,WITHOUT COIL)

COIL MUST BE ORDERED SEPARATELY (REFER TO EC-04W-X-Y-Z)

Z	BODY MATERIAL
<b>A</b>	HIGH-STRENGTH ALUMINUM
<b>S</b>	DUCTILE IRON