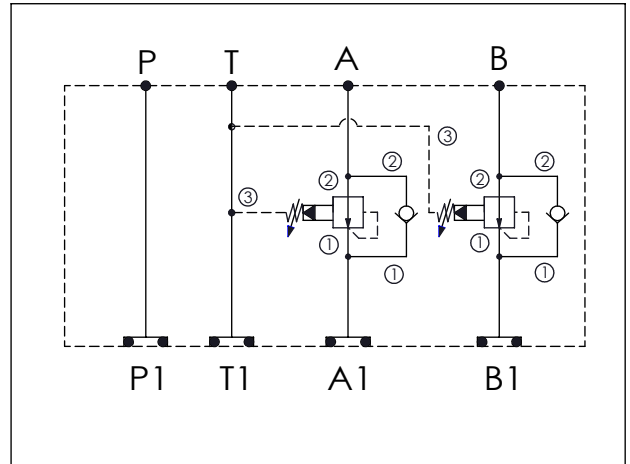
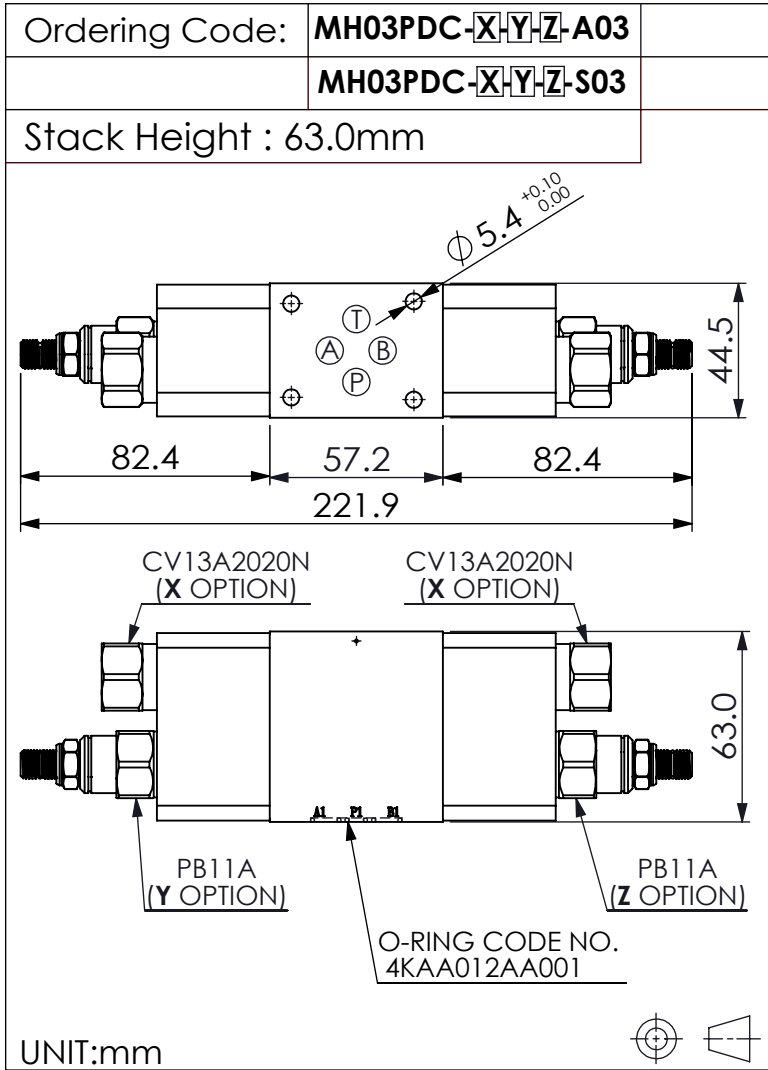


ISO 03 SANDWICH MANIFOLD



TECHNICAL DATA

Aluminum (A03)	Body Pressure Rating:	210 bar
Ductile Iron (S03)	Body Pressure Rating:	350 bar
	Rated flow:	40 l/min

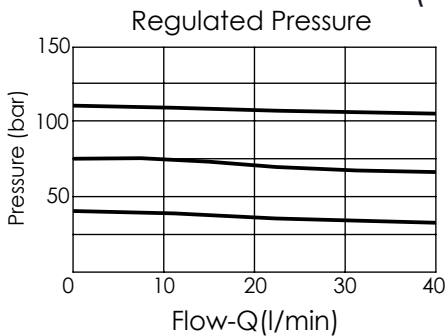
Cartridge Valve:
Refer to CV13A2020N
PB11A-X-Y-Z

* Refer to Winner Cartridge Valves Catalog.

Aluminum	0.76 kg(WITHOUT VALVES) 1.28 kg(INCLUDE VALVES)
Ductile Iron	2.21 kg(WITHOUT VALVES) 2.73 kg(INCLUDE VALVES)

* If you need the special specification.
Please contact us.

(PB11A30AL)



X SELECTION FOR CHECK VALVE

CV2020	CV13A2020N (80LPM,2.0bar) x2 PCS (STANDARD)
13A2	CAVITY ONLY(WITHOUT VALVE)

Please refer to the list price of cartridge program.

Y SELECTION FOR A PORT CONTROL

11A3	CAVITY ONLY(WITHOUT VALVE)
PB0A	PB11A30AL (40LPM , 7-210bar) x1 PC

Please refer to the list price of cartridge program.

Z SELECTION FOR B PORT CONTROL

11A3	CAVITY ONLY(WITHOUT VALVE)
PB0A	PB11A30AL(40LPM , 7-210bar) x1 PC

Please refer to the list price of cartridge program.