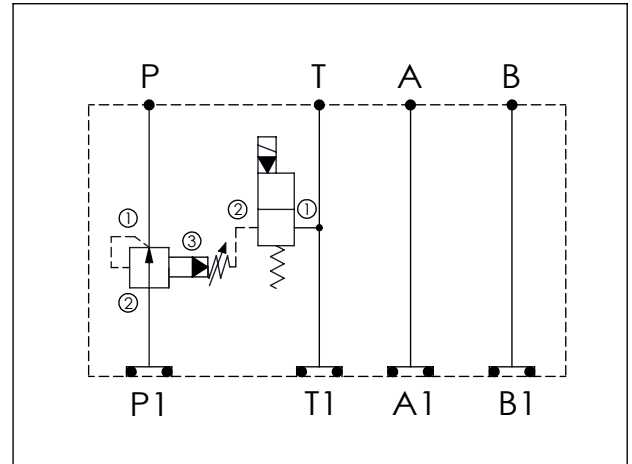


Ordering Code:	MH03PPE-X-Y-Z 12
Stack Height :	44.5mm

UNIT:mm



TECHNICAL DATA

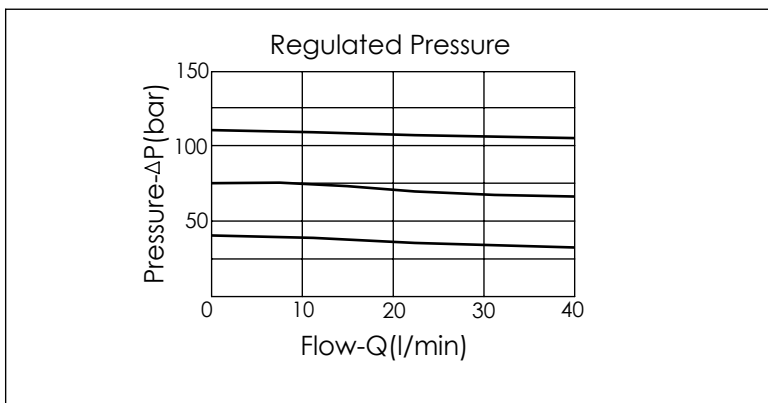
Aluminum Body Pressure Rating: 210 bar
 Ductile Iron
 Body Pressure Rating: 350 bar

Rated flow: 40 l/min

Cartridge Valve:
 Refer to PB11A-X-Y-Z
 EP08W-X-Y-Z
 * Refer to Winner Cartridge Valve Catalog.

Aluminum	0.65 kg(WITHOUT VALVES) 0.95 kg(INCLUDE VALVES ,WITHOUT COIL)
----------	--

* If you need the special specification. Please contact us.



X	SELECTION FOR P PORT CONTROL
11A3	CAVITY ONLY(WITHOUT VALVE)
PB0A	PB11A30AL(40LPM , 7-210bar)

Please refer to the list price of cartridge program.

Y	SELECTION FOR SOLENOID VALVES (REFER TO EP08W-X-Y-Z)
08W2	CAVITY ONLY(WITHOUT VALVE)
EP01	EP08W2A01N05 , 40LPM,350bar (NORMALLY CLOSED,WITHOUT COIL)
EP02	EP08W2A02N05 , 40LPM,350bar (NORMALLY OPEN,WITHOUT COIL)
EP01M	EP08W2A01M05 , 40LPM,350bar(NORMALLY CLOSED WITH KNOB STYLE MANUAL OVERRIDE,WITHOUT COIL)
EP02P	EP08W2A02P05 , 40LPM,350bar(NORMALLY OPEN WITH PUSH STYLE MANUAL OVERRIDE,WITHOUT COIL)
COIL MUST BE ORDERED SEPARATELY (REFER TO EC-04W-X-Y-Z)	

Z	BODY MATERIAL
A	HIGH-STRENGTH ALUMINUM