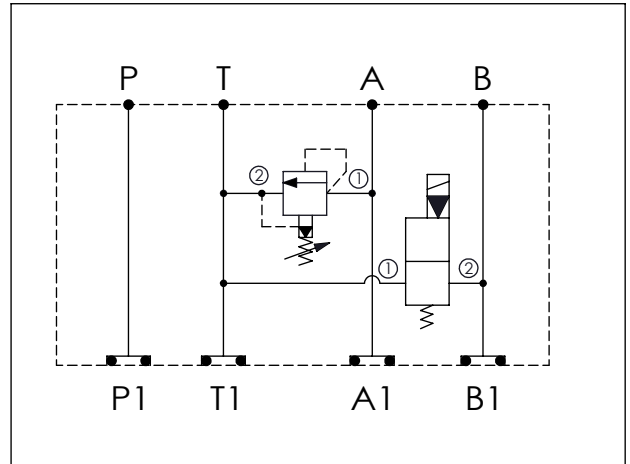


Ordering Code: **MH03RAE-X-Y-Z01**

Stack Height : 44.5mm

UNIT:mm



TECHNICAL DATA

Aluminum Body Pressure Rating: 210 bar
 Ductile Iron
 Body Pressure Rating: 350 bar

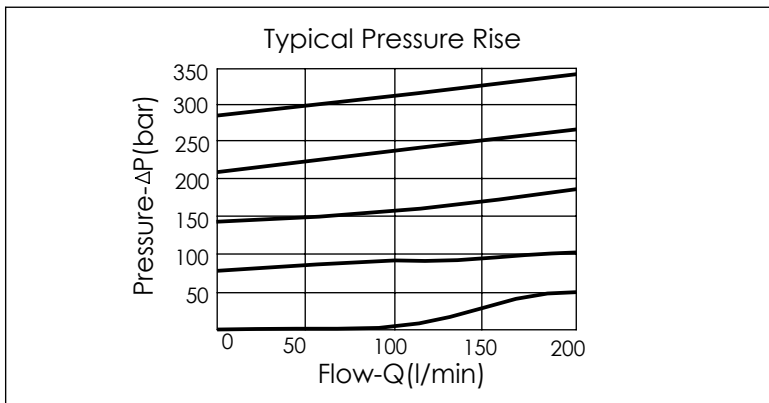
Rated flow: 40 l/min

Cartridge Valve:
 Refer to RP10A-X-Y-Z
 EP08W-X-Y-Z

* Refer to Winner Cartridge Valve Catalog.

Aluminum	0.38 kg(WITHOUT VALVES)
	0.58 kg(INCLUDE VALVES, WITHOUT COIL)
DUCTILE IRON	1.12 kg(WITHOUT VALVES)
	1.32 kg(INCLUDE VALVES, WITHOUT COIL)

* If you need the special specification. Please contact us.



X	SELECTION FOR A PORT CONTROL
10A2	CAVITY ONLY(WITHOUT VALVE)
RP0A	RP10A20AL(95LPM,7-210bar)
Please refer to the list price of cartridge program.	

Y	SELECTION FOR SOLENOID VALVES (REFER TO EP08W-X-Y-Z)
08W2	CAVITY ONLY(WITHOUT VALVE)
EP01	EP08W2A01N05 , 40LPM,350bar (NORMALLY CLOSED,WITHOUT COIL)
EP01M	EP08W2A01M05 , 40LPM,350bar(NORMALLY CLOSED WITH KNOB STYLE MANUAL OVERRIDE,WITHOUT COIL)
EP31	EP08W2A31N05 , 40LPM,350bar (NORMALLY CLOSED,WITHOUT COIL)
EP31M	EP08W2A31M05 , 40LPM,350bar(NORMALLY CLOSED WITH KNOB STYLE MANUAL OVERRIDE,WITHOUT COIL)
COIL MUST BE ORDERED SEPARATELY (REFER TO EC-04W-X-Y-Z)	

Z	BODY MATERIAL
A	HIGH-STRENGTH ALUMINUM
S	DUCTILE IRON