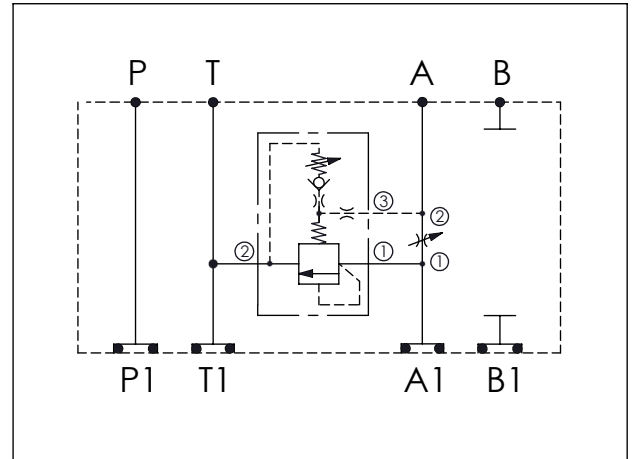
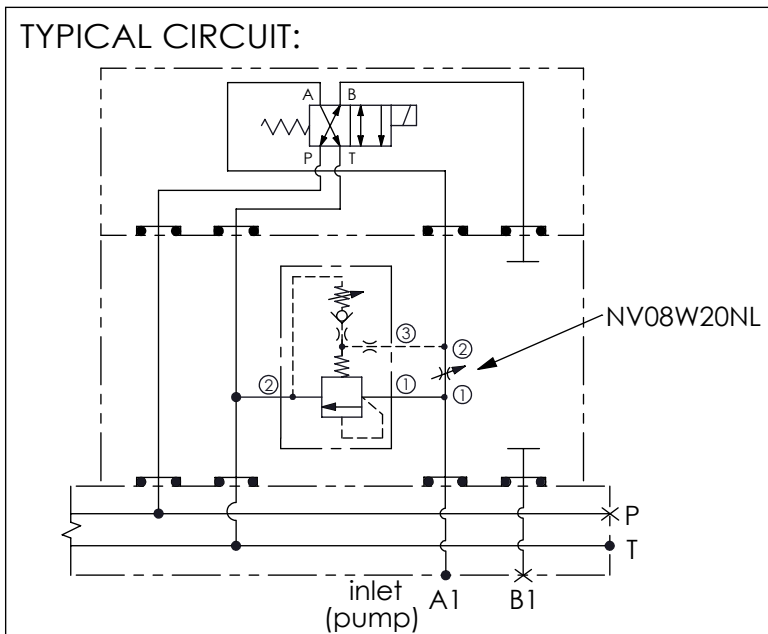
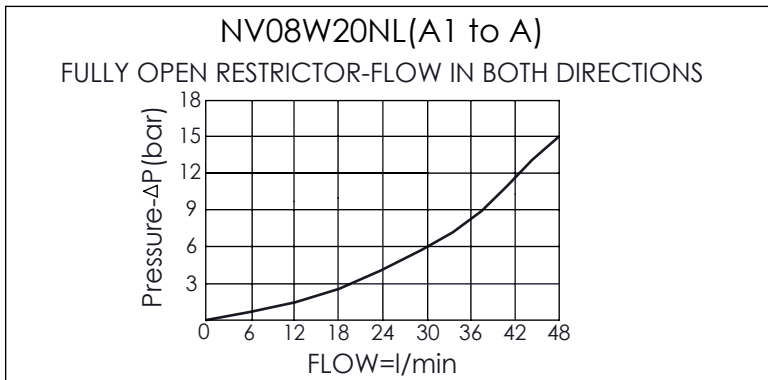


Ordering Code: MH03RAT-X-Y-Z 01	
Stack Height : 44.5mm	

UNIT:mm



TECHNICAL DATA	
Aluminum Body Pressure Rating:	210 bar
Ductile Iron Body Pressure Rating:	350 bar
Rated flow:	40 l/min
Cartridge Valve: Refer to NV08W-X-Y-Z RV11A-X-Y-Z * Refer to Winner Cartridge Valve Catalog.	
Aluminum	0.42 kg(WITHOUT VALVES) 0.7 kg(INCLUDE VALVES)
* If you need the special specification. Please contact us.	



X	SELECTION FOR FLOW CONTROL
08W2	CAVITY ONLY(WITHOUT VALVE)
NV0N	NV08W20NL (350bar)
Please refer to the list price of cartridge program.	
Y	SELECTION FOR RELIEF VALVES
11A3	CAVITY ONLY(WITHOUT VALVE)
RVBW	RV11A3BWL (40LPM , 10.5-315bar) (ΔP = 7bar)
Please refer to the list price of cartridge program.	
Z	BODY MATERIAL
A	HIGH-STRENGTH ALUMINUM