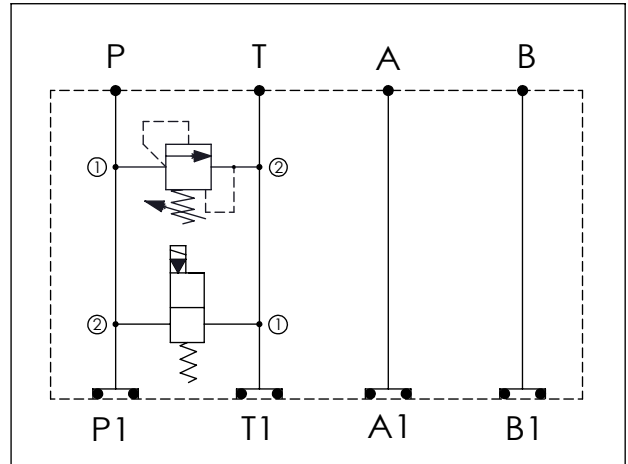


ISO 03 SANDWICH MANIFOLD

Ordering Code: **MH03RPD-X-Y-Z01**

Stack Height : 44.5mm

UNIT:mm



TECHNICAL DATA

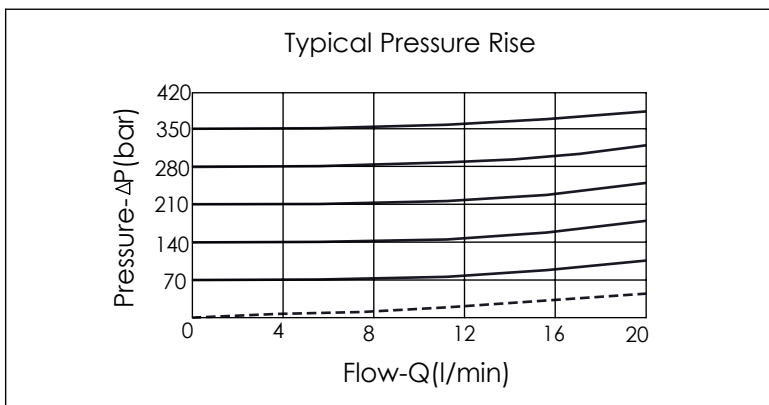
Aluminum Body Pressure Rating: 210 bar
 Ductile Iron Body Pressure Rating: 350 bar
 Rated flow: 20 l/min

Cartridge Valve:
 Refer to RD08W-X-Y-Z
 EP08W-X-Y-Z

* Refer to Winner Cartridge Valves Catalog.

Aluminum	0.31 kg(WITHOUT VALVES) 0.55 kg(INCLUDE VALVES ,WITHOUT COIL)
Ductile Iron	0.91 kg(WITHOUT VALVES) 1.15 kg(INCLUDE VALVES ,WITHOUT COIL)

* If you need the special specification.
 Please contact us.



X	SELECTION FOR RELIEF VALVE (PORT ① TO ②, NEAR "A" PORT SIDE)
08W2	CAVITY ONLY(WITHOUT VALVE)
RD0A	RD08W20AL (20LPM,80-210bar)
Please refer to the list price of cartridge program.	

Y	SELECTION FOR SOLENOID VALVES (PORT ② TO ①, NEAR "B" PORT SIDE, REFER TO EP08W-X-Y-Z)
08W2	CAVITY ONLY(WITHOUT VALVE)
EP01	EP08W2A01N05 , 40LPM,350bar (NORMALLY CLOSED,WITHOUT COIL)
EP02	EP08W2A02N05 , 40LPM,350bar (NORMALLY OPEN,WITHOUT COIL)
EP01M	EP08W2A01M05 , 40LPM,350bar(NORMALLY CLOSED WITH KNOB STYLE MANUAL OVERRIDE,WITHOUT COIL)
EP02P	EP08W2A02P05 , 40LPM,350bar(NORMALLY OPEN WITH PUSH STYLE MANUAL OVERRIDE,WITHOUT COIL)
COIL MUST BE ORDERED SEPARATELY (REFER TO EC-04W-X-Y-Z)	

Z	BODY MATERIAL
A	HIGH-STRENGTH ALUMINUM
S	DUCTILE IRON