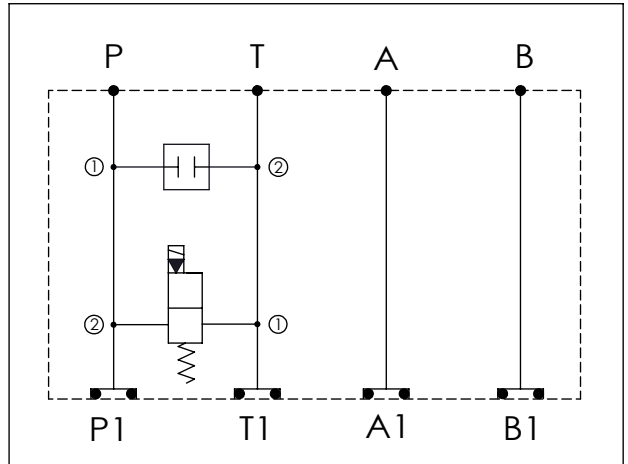


ISO 03 SANDWICH MANIFOLD

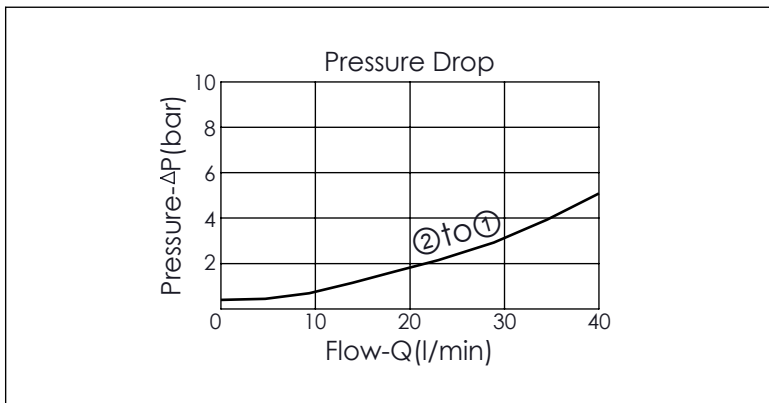
Ordering Code: **MH03RPD-X-Y-Z 01**

Stack Height : 44.5mm

UNIT:mm



TECHNICAL DATA	
Aluminum Body Pressure Rating:	210 bar
Ductile Iron Body Pressure Rating:	350 bar
Rated flow:	40 l/min
Cartridge Valve:	Refer to CP-08W-Y-Z EP08W-X-Y-Z
* Refer to Winner Cartridge Valves Catalog.	
Aluminum	0.31 kg(WITHOUT VALVES) 0.54 kg(INCLUDE VALVES ,WITHOUT COIL)
Ductile Iron	0.91 kg(WITHOUT VALVES) 1.14 kg(INCLUDE VALVES ,WITHOUT COIL)



* If you need the special specification. Please contact us.

X	SELECTION FOR RELIEF VALVE (PORT ① TO ②, NEAR "A" PORT SIDE)
08W2	CAVITY ONLY(WITHOUT VALVE)
CP00	CP08W2H00NN(3/4"-16UNF-2B , All Ports Blocked)
Please refer to the list price of cartridge program.	

Y	SELECTION FOR SOLENOID VALVES (PORT ② TO ①, NEAR "B" PORT SIDE, REFER TO EP08W-X-Y-Z)
08W2	CAVITY ONLY(WITHOUT VALVE)
EP01	EP08W2A01N05 , 40LPM,350bar (NORMALLY CLOSED,WITHOUT COIL)
EP02	EP08W2A02N05 , 40LPM,350bar (NORMALLY OPEN,WITHOUT COIL)
EP01M	EP08W2A01M05 , 40LPM,350bar(NORMALLY CLOSED WITH KNOB STYLE MANUAL OVERRIDE,WITHOUT COIL)
EP02P	EP08W2A02P05 , 40LPM,350bar(NORMALLY OPEN WITH PUSH STYLE MANUAL OVERRIDE,WITHOUT COIL)
COIL MUST BE ORDERED SEPARATELY (REFER TO EC-04W-X-Y-Z)	

Z	BODY MATERIAL
A	HIGH-STRENGTH ALUMINUM
S	DUCTILE IRON