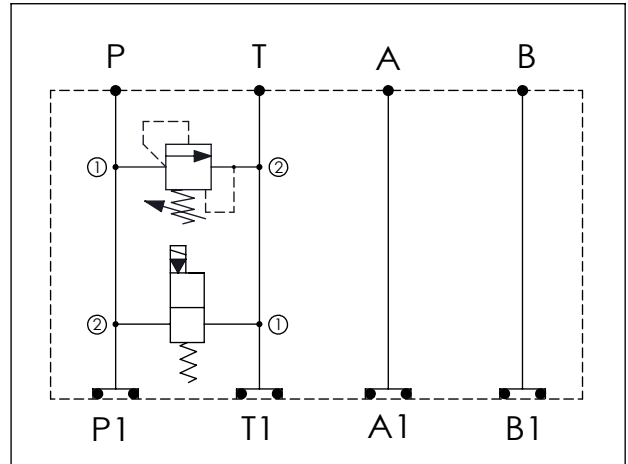


ISO 03 SANDWICH MANIFOLD

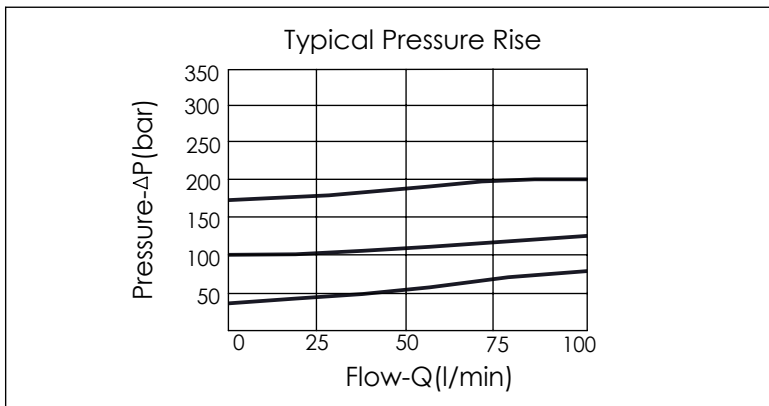
Ordering Code: **MH03RPJ-X-Y-Z01**

Stack Height : 44.5mm

UNIT:mm



TECHNICAL DATA	
Aluminum Body Pressure Rating:	210 bar
Ductile Iron Body Pressure Rating:	350 bar
Rated flow:	40 l/min
Cartridge Valve:	Refer to RD10A-X-Y-Z EP08W-X-Y-Z
* Refer to Winner Cartridge Valves Catalog.	
Aluminum	0.4 kg(WITHOUT VALVES) 0.7 kg(INCLUDE VALVES, WITHOUT COIL)
Ductile Iron	1.1 kg(WITHOUT VALVES) 1.4 kg(INCLUDE VALVES, WITHOUT COIL)



* If you need the special specification. Please contact us.

X	SELECTION FOR RELIEF VALVE (PORT ① TO ②, NEAR "A" PORT SIDE)
10A2	CAVITY ONLY (WITHOUT VALVE)
RD5A	RD10A25AL (95LPM, 35-210bar)

Please refer to the list price of cartridge program.

Y	SELECTION FOR SOLENOID VALVES (PORT ② TO ①, NEAR "B" PORT SIDE, REFER TO EP08W-X-Y-Z)
08W2	CAVITY ONLY (WITHOUT VALVE)
EP01	EP08W2A01N05, 40LPM, 350bar (NORMALLY CLOSED, WITHOUT COIL)
EP02	EP08W2A02N05, 40LPM, 350bar (NORMALLY OPEN, WITHOUT COIL)
EP01M	EP08W2A01M05, 40LPM, 350bar (NORMALLY CLOSED WITH KNOB STYLE MANUAL OVERRIDE, WITHOUT COIL)
EP02P	EP08W2A02P05, 40LPM, 350bar (NORMALLY OPEN WITH PUSH STYLE MANUAL OVERRIDE, WITHOUT COIL)

COIL MUST BE ORDERED SEPARATELY (REFER TO EC-04W-X-Y-Z)

Z	BODY MATERIAL
A	HIGH-STRENGTH ALUMINUM
S	DUCTILE IRON