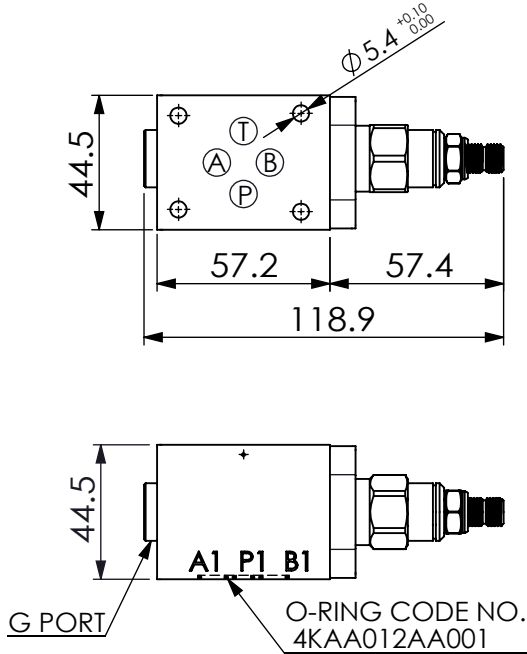
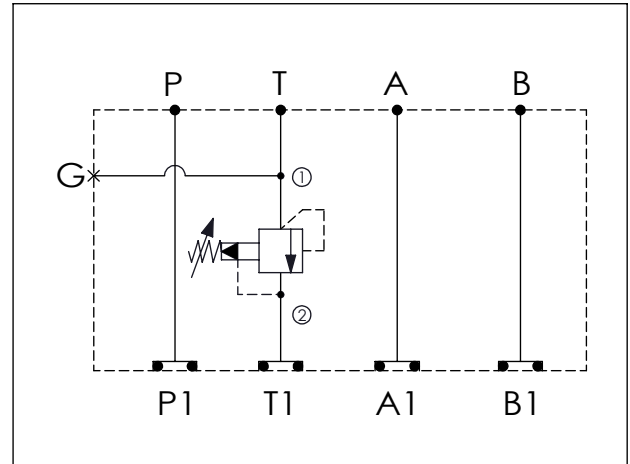
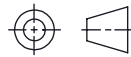


|                                       |
|---------------------------------------|
| Ordering Code: <b>MH03RTH-X-Y-Z01</b> |
| Stack Height : 44.5mm                 |



UNIT:mm



### TECHNICAL DATA

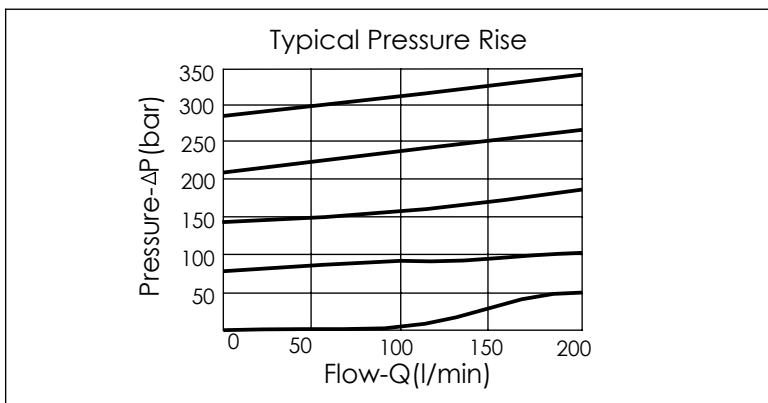
Aluminum Body Pressure Rating: 210 bar  
 Ductile Iron  
 Body Pressure Rating: 350 bar

Rated flow: 40 l/min

Cartridge Valve:  
 Refer to RP10A-X-Y-Z  
 \* Refer to Winner Cartridge Valve Catalog.

|              |                        |
|--------------|------------------------|
| Aluminum     | 0.28 kg(WITHOUT VALVE) |
|              | 0.42 kg(INCLUDE VALVE) |
| DUCTILE IRON | 1.51 kg(WITHOUT VALVE) |
|              | 1.65 kg(INCLUDE VALVE) |

\* If you need the special specification.  
 Please contact us.



| X   | SELECTION FOR G PORT |  |
|-----|----------------------|--|
| G02 | G 1/4"(Metric)       |  |
| N02 | NPT 1/4"(U.S. Units) |  |
|     |                      |  |
|     |                      |  |
|     |                      |  |

| Y    | SELECTION FOR B PORT CONTROL |
|------|------------------------------|
| 10A2 | CAVITY ONLY(WITHOUT VALVE)   |
| RPOA | RP10A20AL (95LPM,7-210bar)   |
|      |                              |
|      |                              |
|      |                              |

| Z | BODY MATERIAL          |  |
|---|------------------------|--|
| A | HIGH-STRENGTH ALUMINUM |  |
| S | DUCTILE IRON           |  |
|   |                        |  |
|   |                        |  |
|   |                        |  |

Please refer to the list price of cartridge program.