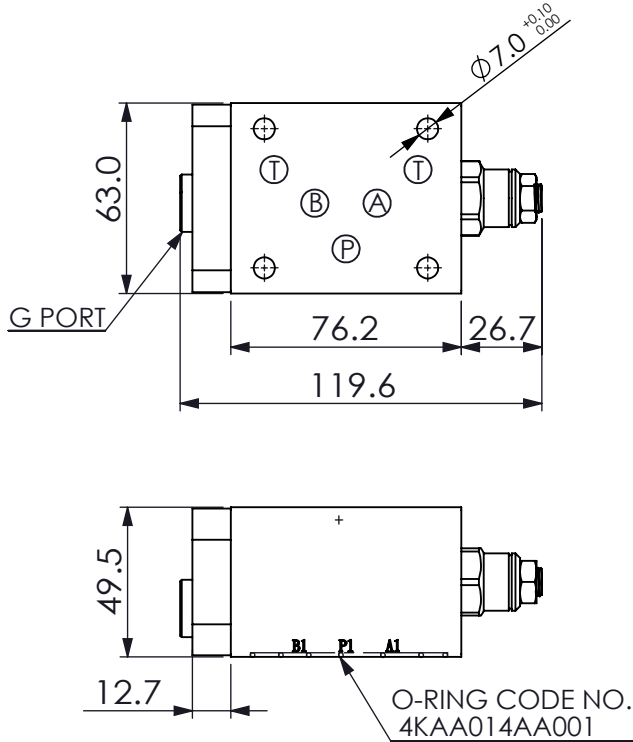
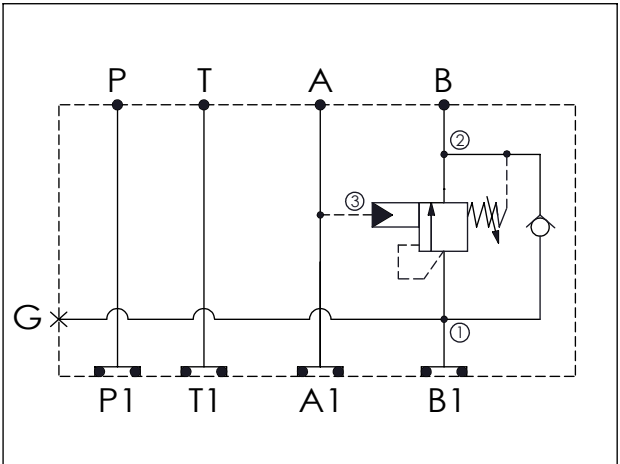


Ordering Code: **MH05CBW-X-Y-Z 21**  
 Stack Height : 49.5mm



UNIT:mm



### TECHNICAL DATA

Aluminum Body Pressure Rating: 210 bar  
 Ductile Iron  
 Body Pressure Rating: 350 bar

Rated flow: 60 l/min

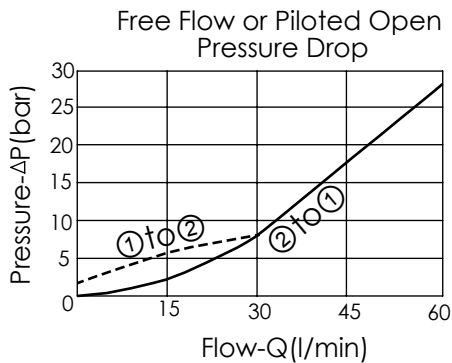
Cartridge Valve:

Refer to CB11A-X-Y-Z

\* Refer to Winner Cartridge Valve Catalog.

Aluminum	0.65 kg(WITHOUT VALVE) 0.85 kg(INCLUDE VALVE)
Ductile Iron	1.8 kg(WITHOUT VALVE) 2.0 kg(INCLUDE VALVE)

\* If you need the special specification.  
 Please contact us.



### X SELECTION FOR A PORT CONTROL

<b>11A3</b>	CAVITY ONLY(WITHOUT VALVE)
<b>CB3H</b>	CB11A33HL (3:1 , 280bar)
<b>CB4J</b>	CB11A34JL (4.5:1 , 350bar)
<b>CB0J</b>	CB11A30JL (10:1 , 350bar)

Please refer to the list price of cartridge program.

### Y SELECTION FOR G PORT

<b>G02</b>	G 1/4"(Metric)
<b>N02</b>	NPT 1/4"(U.S. Units)

### Z BODY MATERIAL

<b>A</b>	HIGH-STRENGTH ALUMINUM
<b>S</b>	DUCTILE IRON(Phosphatizing)
<b>E</b>	DUCTILE IRON(Zinc-Nickel plating)