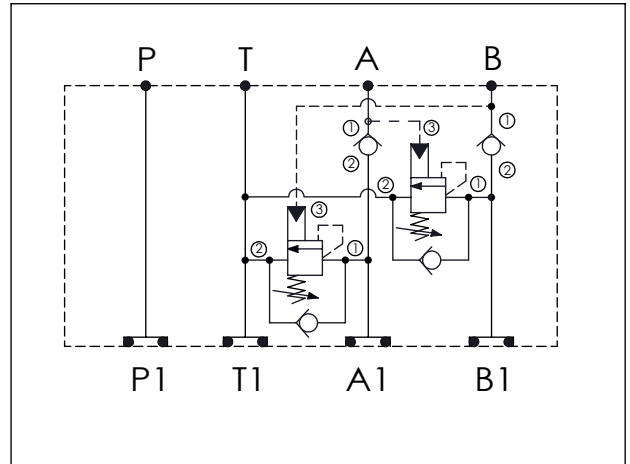
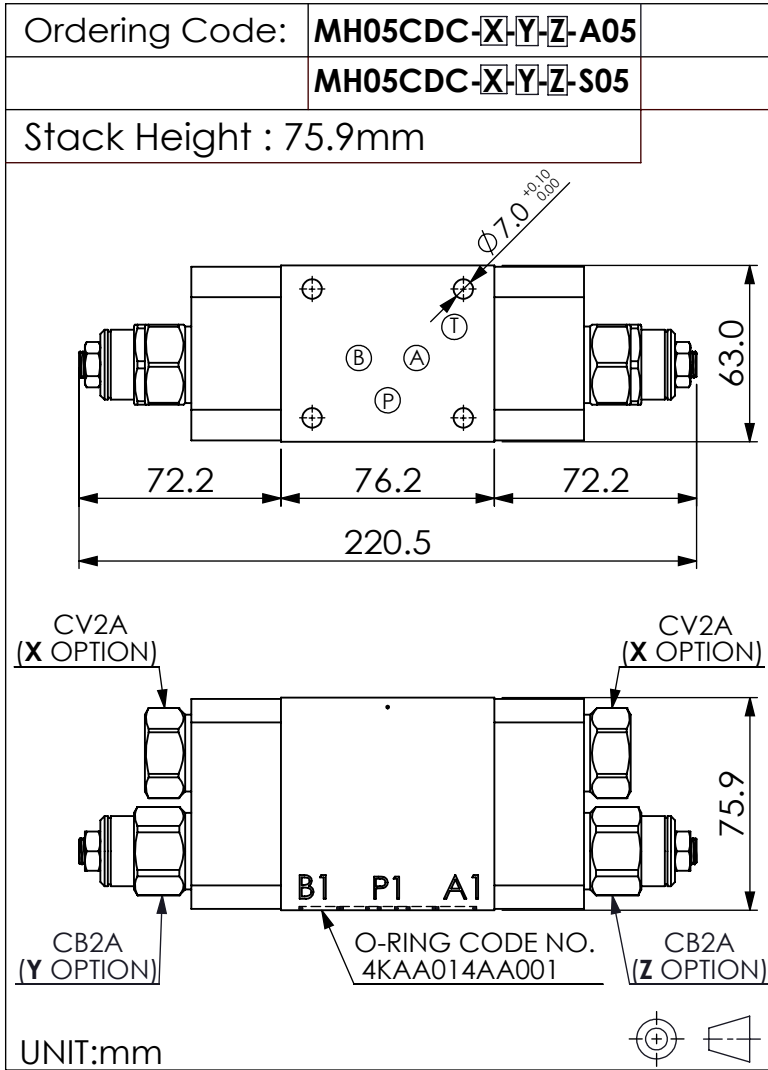


ISO 05 SANDWICH MANIFOLD



TECHNICAL DATA

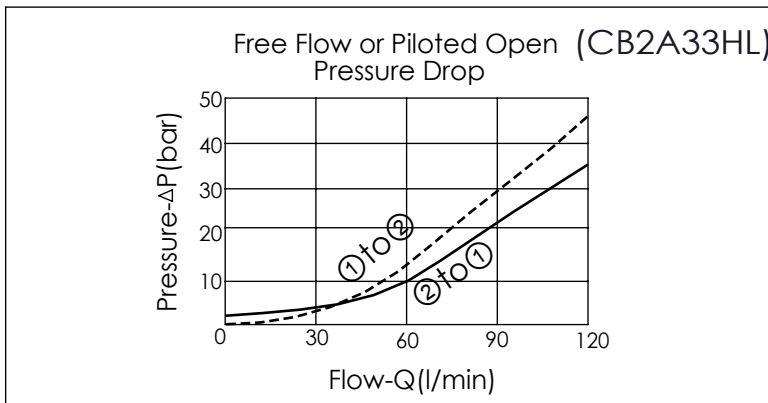
Aluminum (A05)	Body Pressure Rating:	210 bar
Ductile Iron (S05)	Body Pressure Rating:	350 bar
	Rated flow:	80 l/min

Cartridge Valve:
Refer to CV2A-X-Y-Z
CB2A-X-Y-Z

* Refer to Winner Cartridge Valves Catalog.

Aluminum	1.34 kg (WITHOUT VALVES) 2.36 kg (INCLUDE VALVES)
Ductile Iron	3.91 kg (WITHOUT VALVES) 4.93 kg (INCLUDE VALVES)

* If you need the special specification. Please contact us.



X	SELECTION FOR CHECK VALVE
CV2020	CV2A2020N (160LPM, 2.0bar) x2 PCS (STANDARD)
CV2003	CV2A2003N (160LPM, 0.3bar) x2 PCS (Anti-cavitation available)
2A3	CAVITY ONLY (WITHOUT VALVE)
Please refer to the list price of cartridge program.	

Y	SELECTION FOR A PORT CONTROL
2A3	CAVITY ONLY (WITHOUT VALVE)
CB3H	CB2A33HL (120LPM, 70-280bar) x1 PC

Please refer to the list price of cartridge program.

Z	SELECTION FOR B PORT CONTROL
2A3	CAVITY ONLY (WITHOUT VALVE)
CB3H	CB2A33HL (120LPM, 70-280bar) x1 PC

Please refer to the list price of cartridge program.