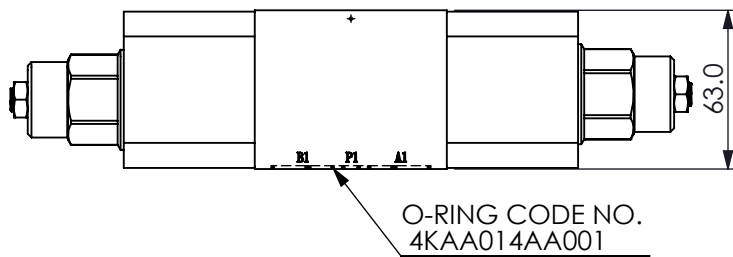
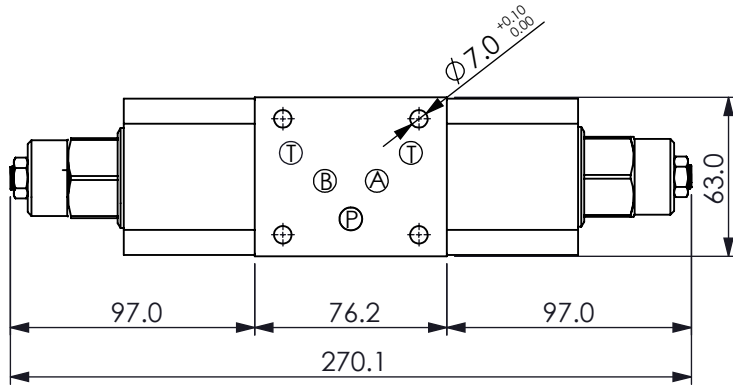
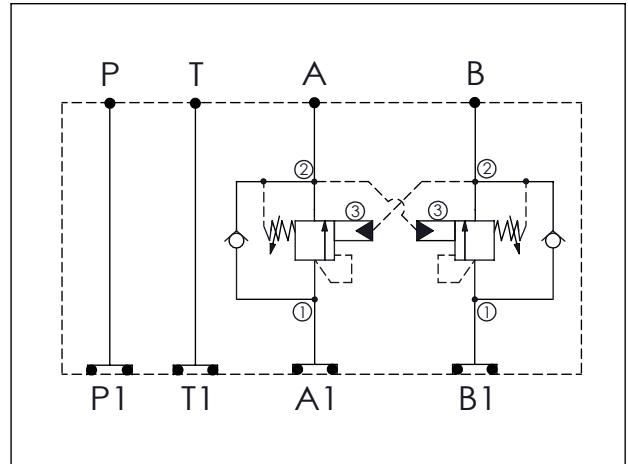


Ordering Code: **MH05CDH-X-Y-Z 03**
 Stack Height : 63.0mm



UNIT:mm



TECHNICAL DATA

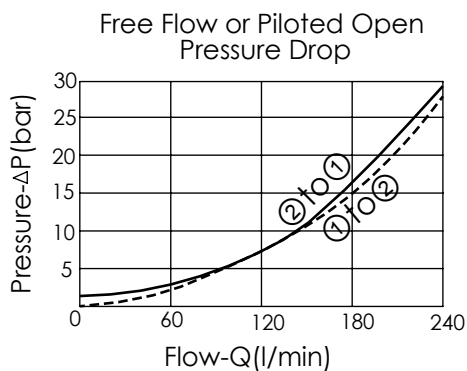
Aluminum Body Pressure Rating: 210 bar
 Ductile Iron
 Body Pressure Rating: 350 bar

Rated flow: 80 l/min

Cartridge Valve:
 Refer to CB17A-X-Y-Z
 * Refer to Winner Cartridge Valve Catalog.

Aluminum	1.35 kg(WITHOUT VALVES) 2.55 kg(INCLUDE VALVES)
DUCTILE IRON	3.85 kg(WITHOUT VALVES) 5.05 kg(INCLUDE VALVES)

* If you need the special specification.
 Please contact us.



X SELECTION FOR A PORT CONTROL

17A3	CAVITY ONLY(WITHOUT VALVE)
CBCH	CB17A3CHL (3:1 , 280bar)
CBAH	CB17A3AHL (1.5:1 , 280bar)
CBDK	CB17A3DKL (4.5:1 , 175bar)
CBJK	CB17A3JKL (10:1 , 175bar)

Please refer to the list price of cartridge program.

Y SELECTION FOR B PORT CONTROL

17A3	CAVITY ONLY(WITHOUT VALVE)
CBCH	CB17A3CHL (3:1 , 280bar)
CBAH	CB17A3AHL (1.5:1 , 280bar)
CBDK	CB17A3DKL (4.5:1 , 175bar)
CBJK	CB17A3JKL (10:1 , 175bar)

Please refer to the list price of cartridge program.

Z BODY MATERIAL

A	HIGH-STRENGTH ALUMINUM
S	DUCTILE IRON