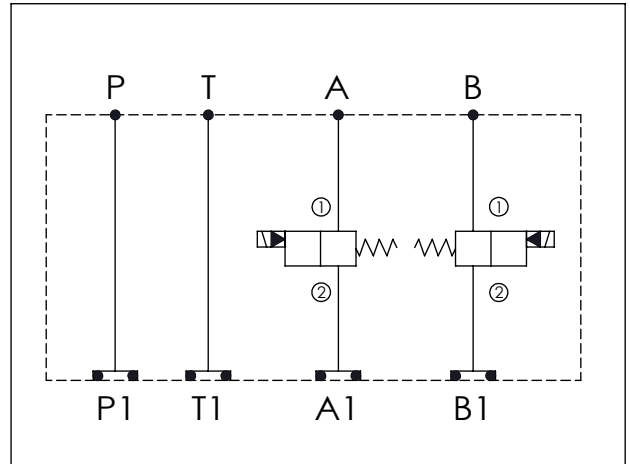
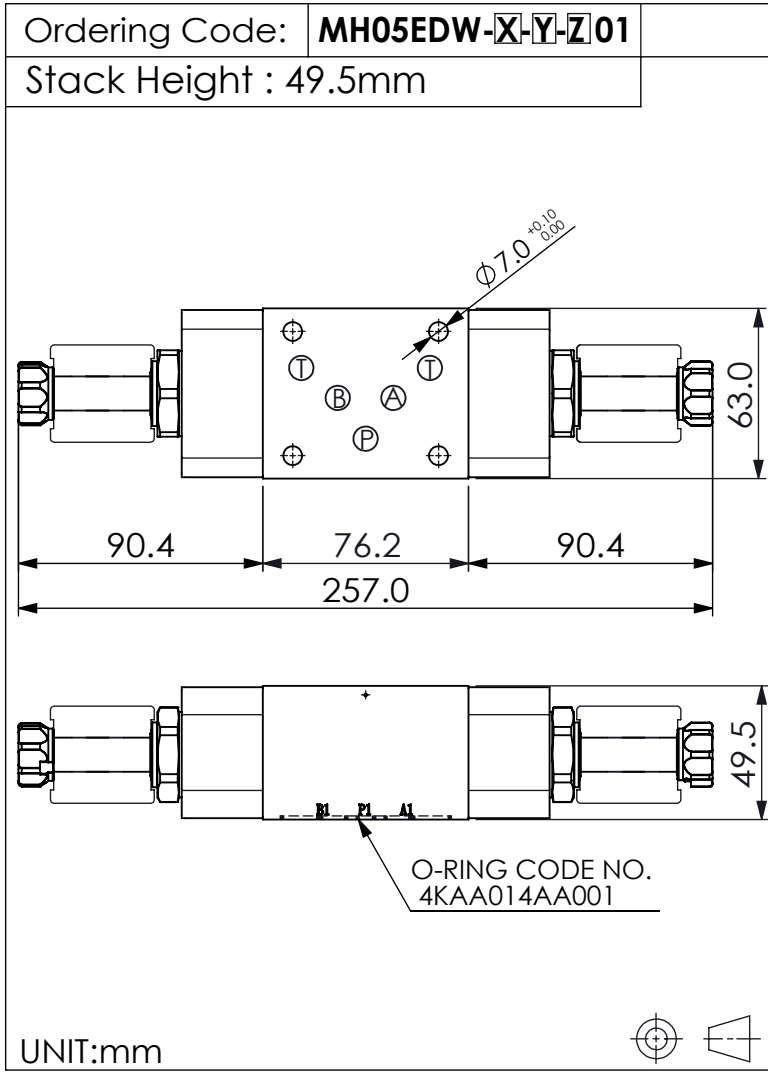


ISO 05 SANDWICH MANIFOLD



TECHNICAL DATA

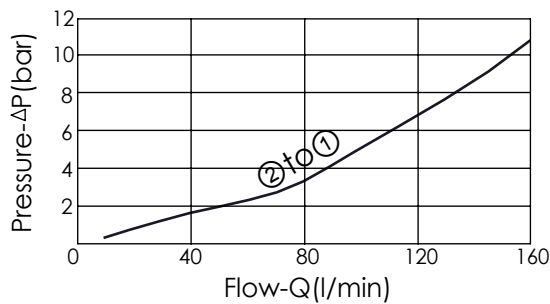
Aluminum Body Pressure Rating: 210 bar
 Ductile Iron Body Pressure Rating: 350 bar
 Rated flow: 80 l/min

Cartridge Valve:
 Refer to EP12W-X-Y-Z
 EP12W-X-Y-Z

* Refer to Winner Cartridge Valves Catalog.

Aluminum	0.88 kg(WITHOUT VALVES)
	1.35 kg(INCLUDE VALVES, WITHOUT COIL)
DUCTILE IRON	2.58 kg(WITHOUT VALVES)
	3.05 kg(INCLUDE VALVES, WITHOUT COIL)

* If you need the special specification. Please contact us.



Y	SELECTION FOR B PORT CONTROL (REFER TO EP12W-X-Y-Z)
12W2	CAVITY ONLY(WITHOUT VALVE)
EP01	EP12W2A01N05 , 150LPM,350bar (NORMALLY CLOSED,WITHOUT COIL)
EP02	EP12W2A02N05 , 150LPM,350bar (NORMALLY OPEN,WITHOUT COIL)
EP01M	EP12W2A01M05 , 150LPM,350bar(NORMALLY CLOSED WITH KNOB STYLE MANUAL OVERRIDE,WITHOUT COIL)
EP02P	EP12W2A02P05 , 150LPM,350bar(NORMALLY OPEN WITH PUSH STYLE MANUAL OVERRIDE,WITHOUT COIL)
COIL MUST BE ORDERED SEPARATELY (REFER TO EC-04W-X-Y-Z)	

X	SELECTION FOR A PORT CONTROL (REFER TO EP12W-X-Y-Z)
12W2	CAVITY ONLY(WITHOUT VALVE)
EP01	EP12W2A01N05 , 150LPM,350bar (NORMALLY CLOSED,WITHOUT COIL)
EP02	EP12W2A02N05 , 150LPM,350bar (NORMALLY OPEN,WITHOUT COIL)
EP01M	EP12W2A01M05 , 150LPM,350bar(NORMALLY CLOSED WITH KNOB STYLE MANUAL OVERRIDE,WITHOUT COIL)
EP02P	EP12W2A02P05 , 150LPM,350bar(NORMALLY OPEN WITH PUSH STYLE MANUAL OVERRIDE,WITHOUT COIL)
COIL MUST BE ORDERED SEPARATELY (REFER TO EC-04W-X-Y-Z)	

Z	BODY MATERIAL
A	HIGH-STRENGTH ALUMINUM
S	DUCTILE IRON