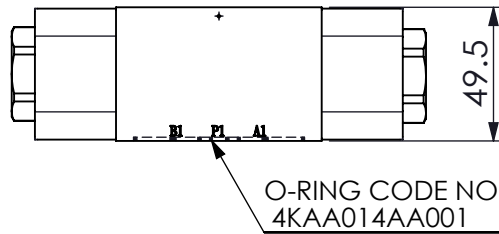
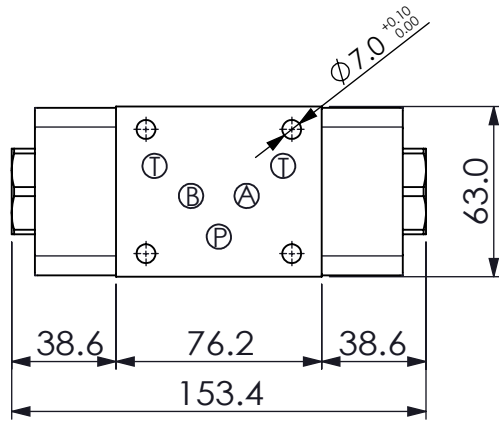


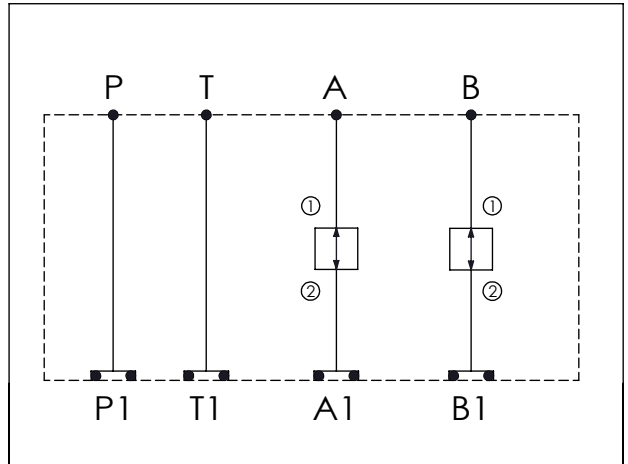
## ISO 05 SANDWICH MANIFOLD

Ordering Code: **MH05EDW-X-Y-Z01**

Stack Height : 49.5mm



UNIT:mm



### TECHNICAL DATA

Aluminum Body Pressure Rating: 210 bar

Ductile Iron  
Body Pressure Rating: 350 bar

Rated flow: 80 l/min

Cartridge Valve:  
Refer to CP12W-X-Y-Z

\* Refer to Winner Cartridge Valves Catalog.

Aluminum	0.88 kg(WITHOUT VALVES) 0.95 kg(INCLUDE VALVES)

\* If you need the special specification.  
Please contact us.

<b>X</b>	<b>SELECTION FOR A PORT CONTROL</b>
<b>12W2</b>	CAVITY ONLY(WITHOUT VALVE)
<b>CP12</b>	CP12W2H12NN(1-1/16"-12UN-2B , Ports 1 and 2 Open)
Please refer to the list price of cartridge program.	

<b>Y</b>	<b>SELECTION FOR B PORT CONTROL</b>
<b>12W2</b>	CAVITY ONLY(WITHOUT VALVE)
<b>CP12</b>	CP12W2H12NN(1-1/16"-12UN-2B , Ports 1 and 2 Open)
Please refer to the list price of cartridge program.	

<b>Z</b>	<b>BODY MATERIAL</b>
<b>A</b>	<b>HIGH-STRENGTH ALUMINUM</b>