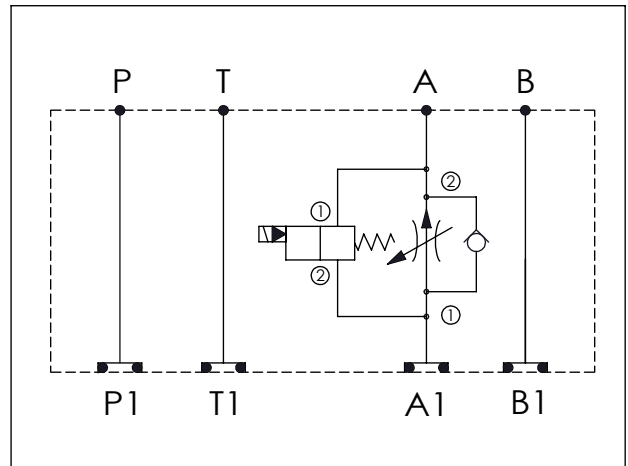


## ISO 05 SANDWICH MANIFOLD

Ordering Code: **MH05FAE-X-Y-Z03**

Stack Height : 63.0mm

UNIT:mm



### TECHNICAL DATA

Aluminum Body Pressure Rating: 210 bar

Ductile Iron

Body Pressure Rating: 350 bar

Rated flow: 45 l/min  
(Pressure Compensated)

Cartridge Valve:

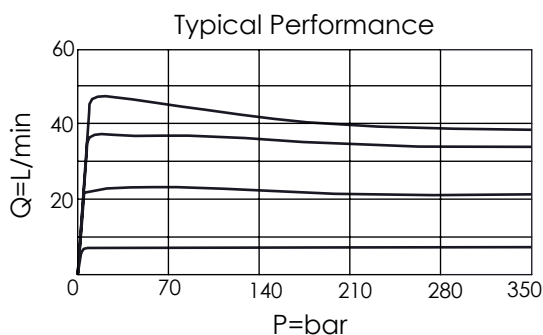
Refer to FR5A-X-Y-Z

EP12W-X-Y-Z

\* Refer to Winner Cartridge Valves Catalog.

Aluminum	1.05 kg(WITHOUT VALVES) 1.55 kg(INCLUDE VALVES , WITHOUT COIL)
DUCTILE IRON	3.0 kg(WITHOUT VALVES) 3.5 kg(INCLUDE VALVES , WITHOUT COIL)

\* If you need the special specification.  
Please contact us.



<b>X</b>	<b>SELECTION FOR FLOW CONTROL</b>
<b>5A2</b>	CAVITY ONLY(WITHOUT VALVE)
<b>FR0A</b>	FR5A20AL (45 LPM , 350bar)

Please refer to the list price of cartridge program.

<b>Y</b>	<b>SELECTION FOR SOLENOID VALVES (REFER TO EP12W-X-Y-Z)</b>
<b>12W2</b>	CAVITY ONLY(WITHOUT VALVE)
<b>EP01</b>	EP12W2A01M05 , 150LPM,350bar (NORMALLY CLOSED,WITHOUT COIL)
<b>EP02</b>	EP12W2A02N05 , 150LPM,350bar (NORMALLY OPEN,WITHOUT COIL)
<b>EP01M</b>	EP12W2A01M05 , 150LPM,350bar(NORMALLY CLOSED WITH KNOB STYLE MANUAL OVERRIDE,WITHOUT COIL)
<b>EP02P</b>	EP12W2A02P05 , 150LPM,350bar(NORMALLY OPEN WITH PUSH STYLE MANUAL OVERRIDE,WITHOUT COIL)
COIL MUST BE ORDERED SEPARATELY (REFER TO EC-04W-X-Y-Z)	

<b>Z</b>	<b>BODY MATERIAL</b>
<b>A</b>	<b>HIGH-STRENGTH ALUMINUM</b>
<b>S</b>	<b>DUCTILE IRON</b>