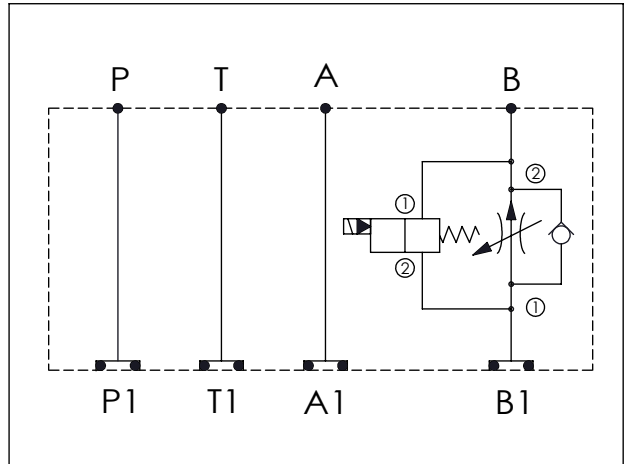
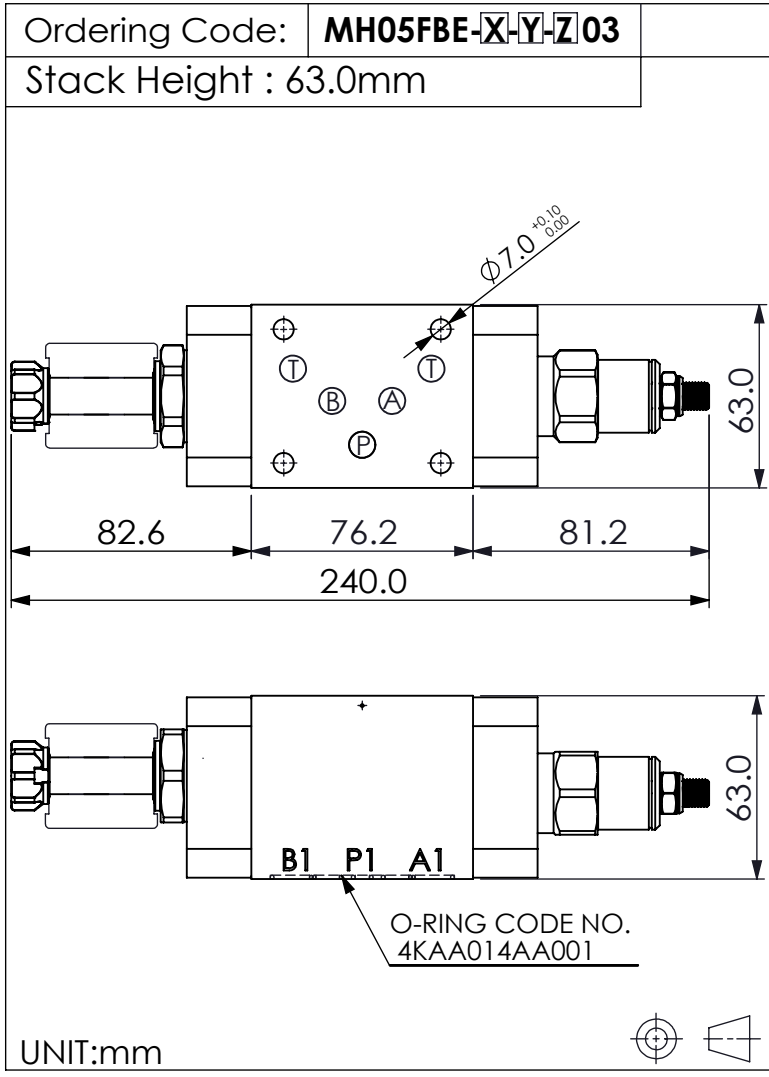


ISO 05 SANDWICH MANIFOLD



TECHNICAL DATA

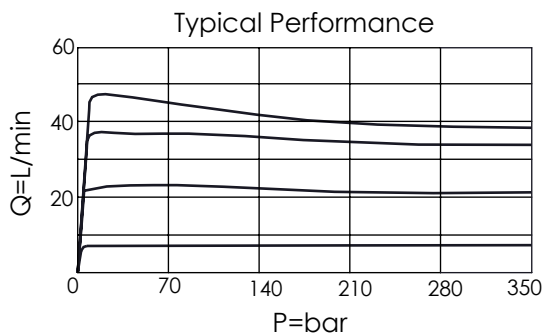
Aluminum Body Pressure Rating: 210 bar
 Ductile Iron Body Pressure Rating: 350 bar
 Rated flow: 45 l/min (Pressure Compensated)

Cartridge Valve:
 Refer to FR5A-X-Y-Z
 EP12W-X-Y-Z

* Refer to Winner Cartridge Valves Catalog.

Aluminum	1.05 kg (WITHOUT VALVES) 1.55 kg (INCLUDE VALVES, WITHOUT COIL)
DUCTILE IRON	3.0 kg (WITHOUT VALVES) 3.5 kg (INCLUDE VALVES, WITHOUT COIL)

* If you need the special specification. Please contact us.



X	SELECTION FOR FLOW CONTROL
5A2	CAVITY ONLY (WITHOUT VALVE)
FROA	FR5A20AL (45 LPM , 350bar)

Please refer to the list price of cartridge program.

Y	SELECTION FOR SOLENOID VALVES (REFER TO EP12W-X-Y-Z)
12W2	CAVITY ONLY (WITHOUT VALVE)
EP01	EP12W2A01M05 , 150LPM,350bar (NORMALLY CLOSED, WITHOUT COIL)
EP02	EP12W2A02M05 , 150LPM,350bar (NORMALLY OPEN, WITHOUT COIL)
EP01M	EP12W2A01M05 , 150LPM,350bar (NORMALLY CLOSED WITH KNOB STYLE MANUAL OVERRIDE, WITHOUT COIL)
EP02P	EP12W2A02P05 , 150LPM,350bar (NORMALLY OPEN WITH PUSH STYLE MANUAL OVERRIDE, WITHOUT COIL)
COIL MUST BE ORDERED SEPARATELY (REFER TO EC-04W-X-Y-Z)	

Z	BODY MATERIAL
A	HIGH-STRENGTH ALUMINUM
S	DUCTILE IRON