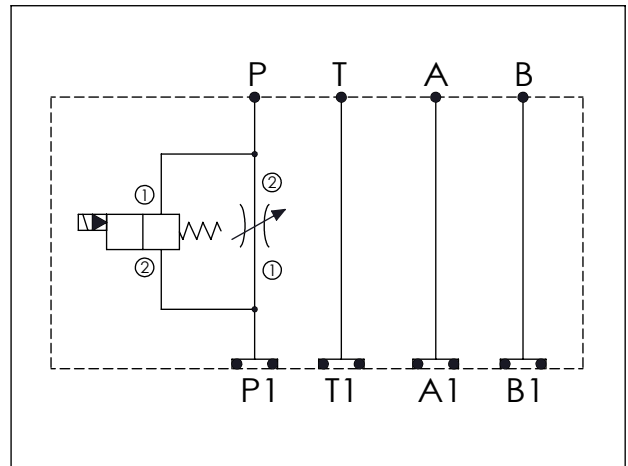


Ordering Code: **MH05FPE-X-Y-Z01**

Stack Height : 49.5mm

UNIT:mm



TECHNICAL DATA

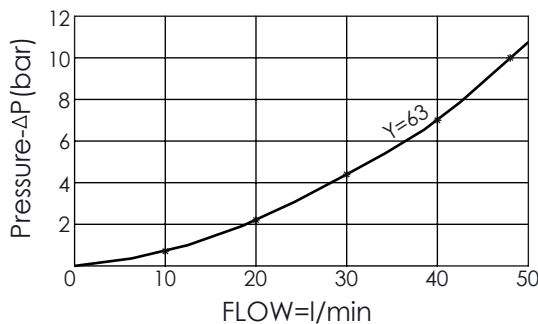
Aluminum Body Pressure Rating: 210 bar
 Ductile Iron
 Body Pressure Rating: 350 bar
 Rated flow: 80 l/min

Cartridge Valve:
 Refer to NV5A-X-Y-Z
 EP12W-X-Y-Z
 * Refer to Winner Cartridge Valves Catalog.

Aluminum	0.8 kg(WITHOUT VALVES) 1.06 kg(INCLUDE VALVES ,WITHOUT COIL)
DUCTILE IRON	2.3 kg(WITHOUT VALVES) 2.56 kg(INCLUDE VALVES ,WITHOUT COIL)

* If you need the special specification.
 Please contact us.

FULLY OPEN RESTRICTOR-FLOW IN BOTH DIRECTIONS



X	SELECTION FOR FLOW CONTROL
5A2	CAVITY ONLY(WITHOUT VALVE)
NV63	NV5A2063L (350bar)
Please refer to the list price of cartridge program.	

Y	SELECTION FOR SOLENOID VALVES (REFER TO EP12W-X-Y-Z)
12W2	CAVITY ONLY(WITHOUT VALVE)
EP01	EP12W2A01N05 , 150LPM,350bar (NORMALLY CLOSED,WITHOUT COIL)
EP02	EP12W2A02N05 , 150LPM,350bar (NORMALLY OPEN,WITHOUT COIL)
EP01M	EP12W2A01M05 , 150LPM,350bar(NORMALLY CLOSED WITH KNOB STYLE MANUAL OVERRIDE,WITHOUT COIL)
EP02P	EP12W2A02P05 , 150LPM,350bar(NORMALLY OPEN WITH PUSH STYLE MANUAL OVERRIDE,WITHOUT COIL)
COIL MUST BE ORDERED SEPARATELY (REFER TO EC-04W-X-Y-Z)	

Z	BODY MATERIAL
A	HIGH-STRENGTH ALUMINUM
S	DUCTILE IRON