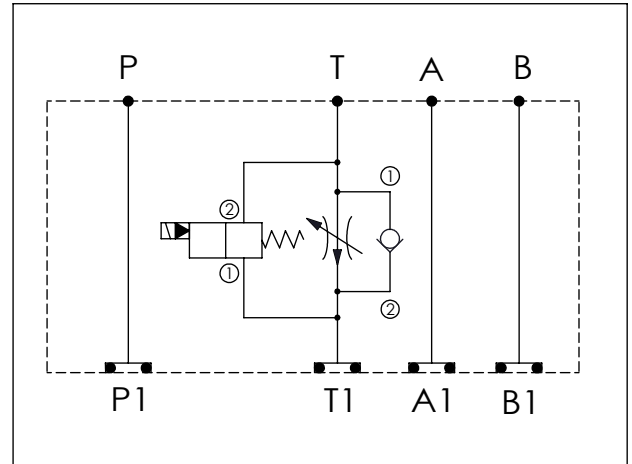


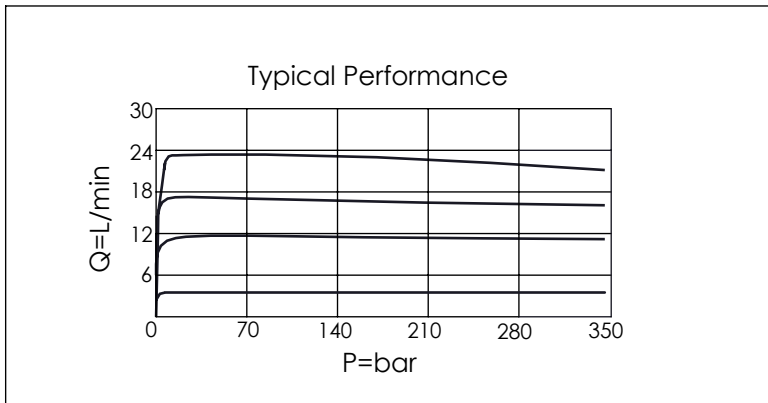
Ordering Code: MH05FTD-X-Y-Z 01	
Stack Height : 49.5mm	

UNIT:mm



TECHNICAL DATA	
Aluminum Body Pressure Rating: 210 bar	
Ductile Iron Body Pressure Rating: 350 bar	
Rated flow: 23 l/min (Pressure Compensated)	
Cartridge Valve: Refer to FR13A-X-Y-Z EP08W-X-Y-Z	
* Refer to Winner Cartridge Valves Catalog.	
Aluminum	0.61 kg(WITHOUT VALVES) 0.84 kg(INCLUDE VALVES, WITHOUT COIL)

* If you need the special specification. Please contact us.



X	SELECTION FOR FLOW CONTROL
13A2	CAVITY ONLY(WITHOUT VALVE)
FROA	FR13A20AL(23LPM,350bar)
Please refer to the list price of cartridge program.	

Y	SELECTION FOR SOLENOID VALVES (REFER TO EP08W-X-Y-Z)
08W2	CAVITY ONLY(WITHOUT VALVE)
EP01	EP08W2A01N05 , 40LPM,350bar (NORMALLY CLOSED,WITHOUT COIL)
EP02	EP08W2A02N05 , 40LPM,350bar (NORMALLY OPEN,WITHOUT COIL)
EP01M	EP08W2A01M05 , 40LPM,350bar(NORMALLY CLOSED WITH KNOB STYLE MANUAL OVERRIDE,WITHOUT COIL)
EP02P	EP08W2A02P05 , 40LPM,350bar(NORMALLY OPEN WITH PUSH STYLE MANUAL OVERRIDE,WITHOUT COIL)
COIL MUST BE ORDERED SEPARATELY (REFER TO EC-04W-X-Y-Z)	

Z	BODY MATERIAL
A	HIGH-STRENGTH ALUMINUM