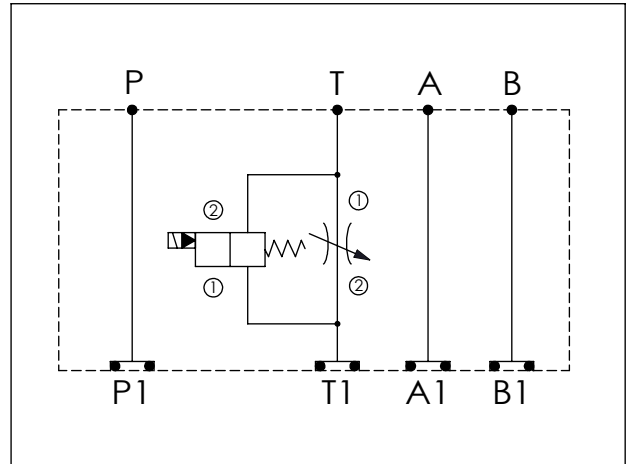


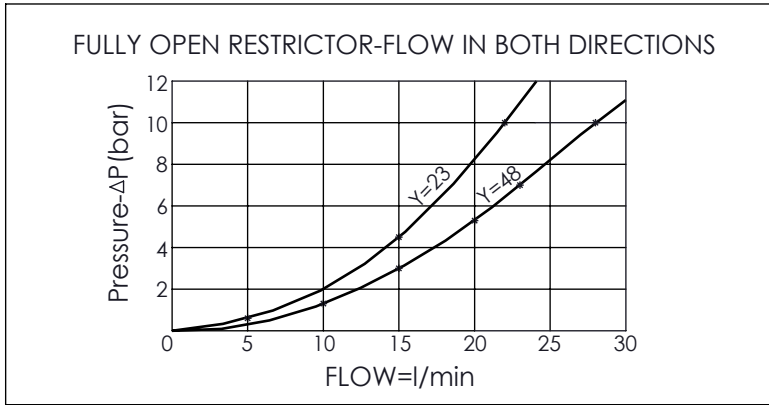
Ordering Code:	<b>MH05FTD-X-Y-Z 01</b>
Stack Height :	49.5mm

UNIT:mm



TECHNICAL DATA	
Aluminum Body Pressure Rating:	210 bar
Ductile Iron Body Pressure Rating:	350 bar
Rated flow:	40 l/min
Cartridge Valve:	Refer to NV13A-X-Y-Z EP08W-X-Y-Z
* Refer to Winner Cartridge Valves Catalog.	
Aluminum	0.61 kg(WITHOUT VALVES) 0.84 kg(INCLUDE VALVES, WITHOUT COIL)



\* If you need the special specification. Please contact us.

Y	SELECTION FOR SOLENOID VALVES (REFER TO EP08W-X-Y-Z)
<b>08W2</b>	CAVITY ONLY(WITHOUT VALVE)
<b>EP01</b>	EP08W2A01N05 , 40LPM,350bar (NORMALLY CLOSED,WITHOUT COIL)
<b>EP02</b>	EP08W2A02N05 , 40LPM,350bar (NORMALLY OPEN,WITHOUT COIL)
<b>EP01M</b>	EP08W2A01M05 , 40LPM,350bar(NORMALLY CLOSED WITH KNOB STYLE MANUAL OVERRIDE,WITHOUT COIL)
<b>EP02P</b>	EP08W2A02P05 , 40LPM,350bar(NORMALLY OPEN WITH PUSH STYLE MANUAL OVERRIDE,WITHOUT COIL)
COIL MUST BE ORDERED SEPARATELY (REFER TO EC-04W-X-Y-Z)	

X	SELECTION FOR FLOW CONTROL
<b>13A2</b>	CAVITY ONLY(WITHOUT VALVE)
<b>NV48</b>	NV13A2048L (350bar)
Please refer to the list price of cartridge program.	

Z	BODY MATERIAL
<b>A</b>	<b>HIGH-STRENGTH ALUMINUM</b>