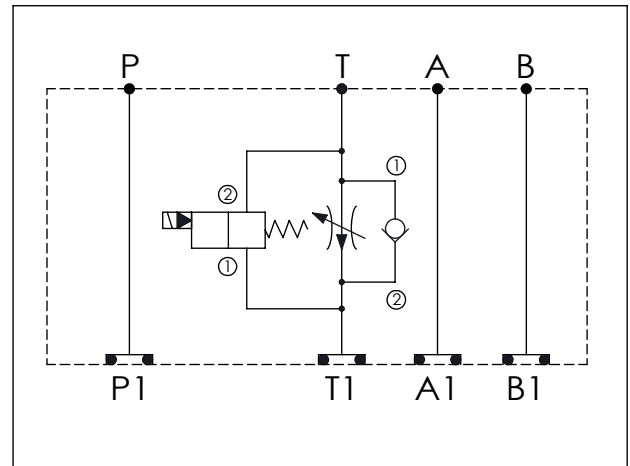


ISO 05 SANDWICH MANIFOLD

Ordering Code:	MH05FTE-X-Y-Z01
Stack Height :	49.5mm

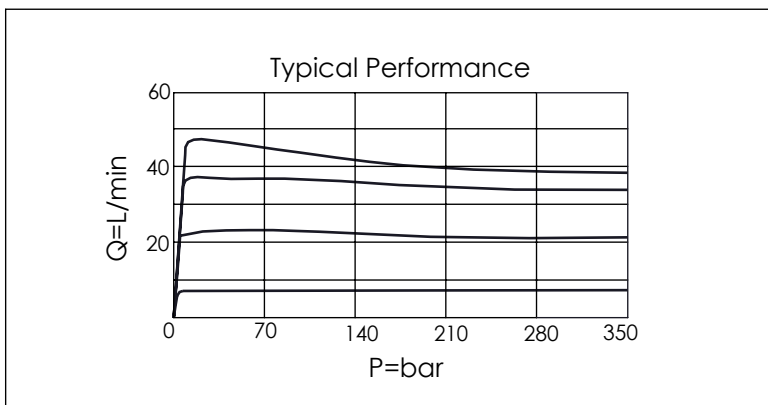
O-RING CODE NO.
4KAA014AA001

UNIT:mm



TECHNICAL DATA	
Aluminum Body Pressure Rating:	210 bar
Ductile Iron Body Pressure Rating:	350 bar
Rated flow:	45 l/min (Pressure Compensated)
Cartridge Valve:	Refer to FR5A-X-Y-Z EP12W-X-Y-Z
* Refer to Winner Cartridge Valves Catalog.	
Aluminum	0.8 kg(WITHOUT VALVES) 1.3 kg(INCLUDE VALVES ,WITHOUT COIL)
DUCTILE IRON	2.3 kg(WITHOUT VALVES) 2.8 kg(INCLUDE VALVES ,WITHOUT COIL)

* If you need the special specification. Please contact us.



X	SELECTION FOR FLOW CONTROL
5A2	CAVITY ONLY(WITHOUT VALVE)
FR0A	FR5A20AL (45 LPM , 350bar)

Please refer to the list price of cartridge program.

Y	SELECTION FOR SOLENOID VALVES (REFER TO EP12W-X-Y-Z)
12W2	CAVITY ONLY(WITHOUT VALVE)
EP01	EP12W2A01M05 , 150LPM,350bar (NORMALLY CLOSED,WITHOUT COIL)
EP02	EP12W2A02M05 , 150LPM,350bar (NORMALLY OPEN,WITHOUT COIL)
EP01M	EP12W2A01M05 , 150LPM,350bar(NORMALLY CLOSED WITH KNOB STYLE MANUAL OVERRIDE,WITHOUT COIL)
EP02P	EP12W2A02P05 , 150LPM,350bar(NORMALLY OPEN WITH PUSH STYLE MANUAL OVERRIDE,WITHOUT COIL)
COIL MUST BE ORDERED SEPARATELY (REFER TO EC-04W-X-Y-Z)	

Z	BODY MATERIAL
A	HIGH-STRENGTH ALUMINUM
S	DUCTILE IRON