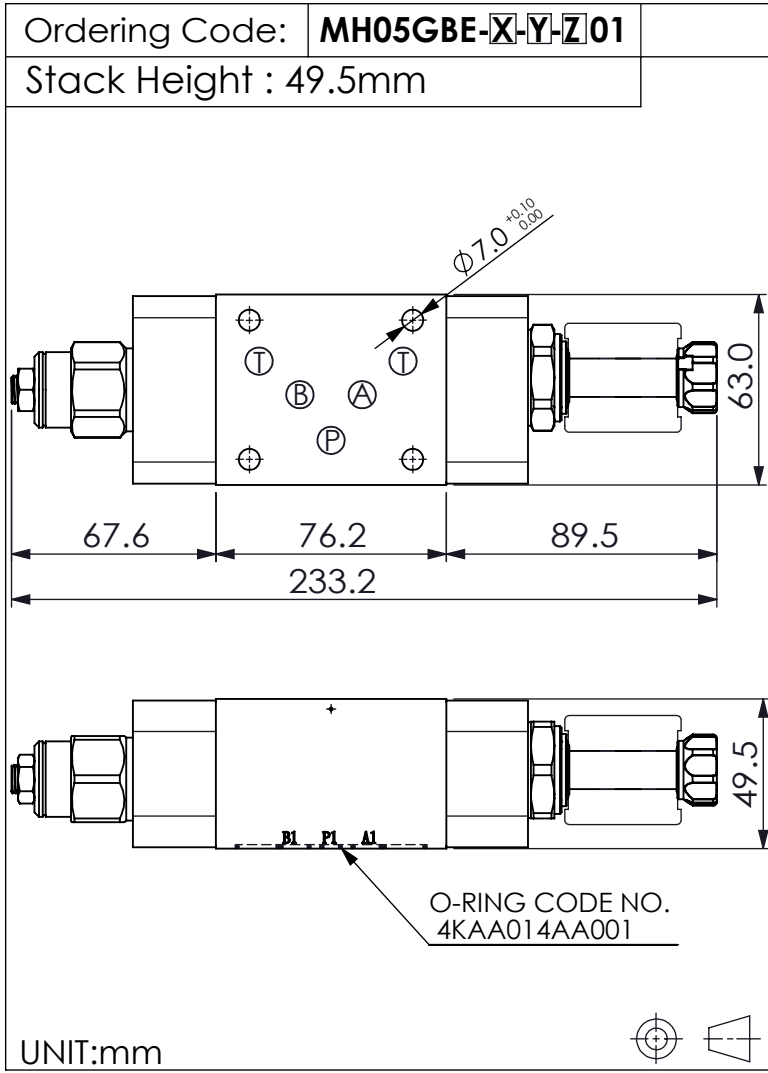
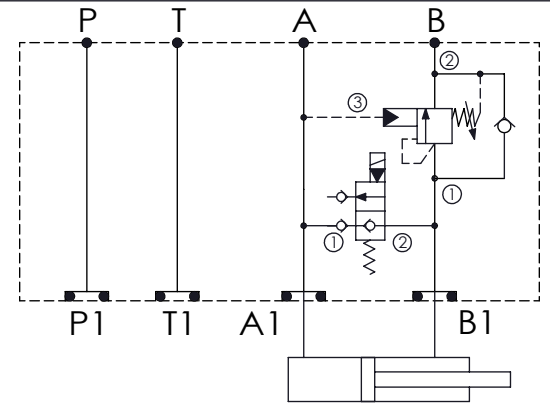


ISO 05 SANDWICH MANIFOLD



B to A , Regenerative



TECHNICAL DATA

Aluminum Body Pressure Rating: 210 bar

Ductile Iron

Body Pressure Rating: 350 bar

Rated flow: 80 l/min

Cartridge Valve:

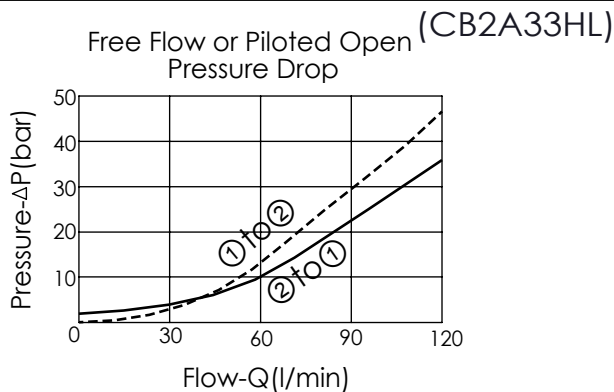
Refer to EP17E-X-Y-Z

CB2A-X-Y-Z

* Refer to Winner Cartridge Valves Catalog.

Aluminum	0.84 kg(WITHOUT VALVES) 1.36 kg(INCLUDE VALVES ,WITHOUT COIL)
Ductile Iron	2.44 kg(WITHOUT VALVES) 2.96 kg(INCLUDE VALVES ,WITHOUT COIL)

* If you need the special specification. Please contact us.



X SELECTION FOR SOLENOID VALVES (REFER TO EP17E-X-Y-Z)

17E2 CAVITY ONLY(WITHOUT VALVE)

EP11 EP17E2A11N05 , 70LPM,350bar (NORMALLY CLOSED,WITHOUT COIL)

EP11M EP17E2A11M05 , 70LPM,350bar(NORMALLY CLOSED WITH KNOB STYLE MANUAL OVERRIDE,WITHOUT COIL)

COIL MUST BE ORDERED SEPARATELY (REFER TO EC-04W-X-Y-Z)

Y

SELECTION FOR COUNTERBALANCE VALVE

2A3 CAVITY ONLY(WITHOUT VALVE)

CB3H CB2A33HL (120LPM , 70-280bar)

Z

BODY MATERIAL

A HIGH-STRENGTH ALUMINUM

S DUCTILE IRON

Please refer to the list price of cartridge program.