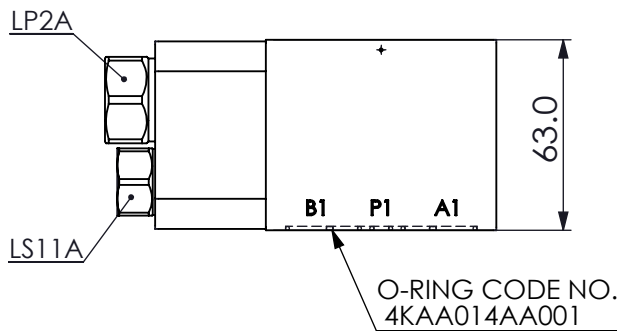
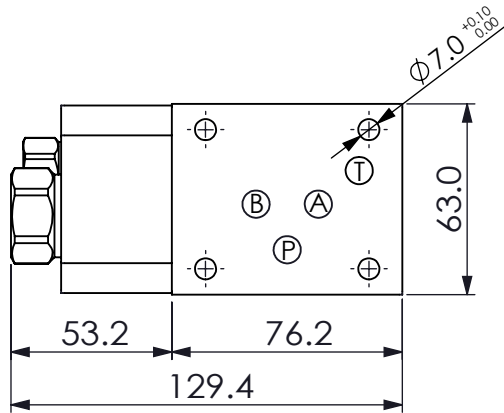
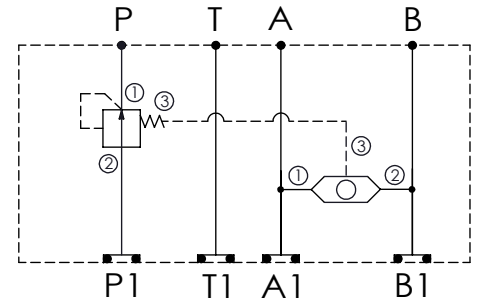
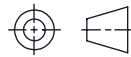


Ordering Code: **MH05KPR-X-Y-Z 03**  
 Stack Height : 63.0mm



UNIT:mm



### TECHNICAL DATA

Aluminum Body Pressure Rating: 210 bar

Ductile Iron

Body Pressure Rating: 350 bar

Rated flow: 80 l/min

Cartridge Valve:

Refer to LP2A-X-Y-Z

LS11A-X-Y-Z

\* Refer to Winner Cartridge Valves Catalog.

Aluminum	1.0 kg(WITHOUT VALVES)
	1.35 kg(INCLUDE VALVES)
Ductile Iron	2.85 kg(WITHOUT VALVES)
	3.2 kg(INCLUDE VALVES)

\* If you need the special specification.  
Please contact us.

--	--

Y	SELECTION FOR SHUTTLE VALVE
<b>11A3</b>	CAVITY ONLY(WITHOUT VALVE)
<b>LS3N</b>	LS11A33NN(10LPM,350bar)

Please refer to the list price of cartridge program.

X	SELECTION FOR LOGIC ELEMENT
<b>2A3</b>	CAVITY ONLY(WITHOUT VALVE)
<b>LP35</b>	LP2A3035N(120LPM,3.5bar)
<b>LP70</b>	LP2A3070N(120LPM,7.0bar)
<b>LP100</b>	LP2A30100N(120LPM,10.0bar)
<b>LP140</b>	LP2A30140N(120LPM,14.0bar)
Please refer to the list price of cartridge program.	

Z	BODY MATERIAL	
<b>A</b>	<b>HIGH-STRENGTH ALUMINUM</b>	
<b>S</b>	<b>DUCTILE IRON</b>	