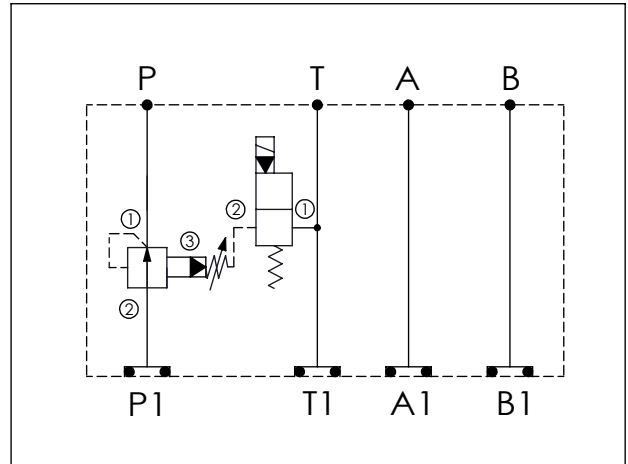


Ordering Code:	MH05PPE-X-Y-Z01
Stack Height :	49.5mm

UNIT:mm



TECHNICAL DATA

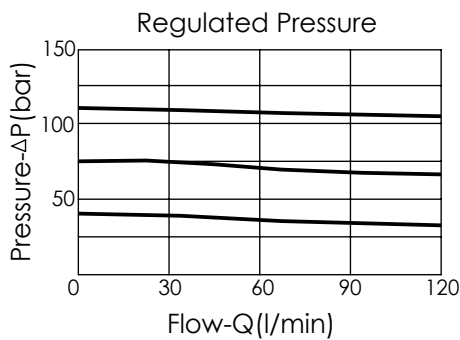
Aluminum Body Pressure Rating: 210 bar
 Ductile Iron Body Pressure Rating: 350 bar
 Rated flow: 80 l/min

Cartridge Valve:
 Refer to PB2A-X-Y-Z
 EP08W-X-Y-Z

* Refer to Winner Cartridge Valves Catalog.

Aluminum	0.82 kg(WITHOUT VALVES)
	1.25 kg(INCLUDE VALVES ,WITHOUT COIL)
DUCTILE IRON	2.39 kg(WITHOUT VALVES)
	2.82 kg(INCLUDE VALVES ,WITHOUT COIL)

* If you need the special specification. Please contact us.



Y	SELECTION FOR SOLENOID VALVES (REFER TO EP08W-X-Y-Z)
08W2	CAVITY ONLY(WITHOUT VALVE)
EP01	EP08W2A01N05 , 40LPM,350bar (NORMALLY CLOSED,WITHOUT COIL)
EP02	EP08W2A02N05 , 40LPM,350bar (NORMALLY OPEN,WITHOUT COIL)
EP01M	EP08W2A01M05 , 40LPM,350bar(NORMALLY CLOSED WITH KNOB STYLE MANUAL OVERRIDE,WITHOUT COIL)
EP02P	EP08W2A02P05 , 40LPM,350bar(NORMALLY OPEN WITH PUSH STYLE MANUAL OVERRIDE,WITHOUT COIL)
COIL MUST BE ORDERED SEPARATELY (REFER TO EC-04W-X-Y-Z)	

X	SELECTION FOR P PORT CONTROL
2A3	CAVITY ONLY(WITHOUT VALVE)
PB0A	PB2A30AL (80 LPM , 7-210bar)
Please refer to the list price of cartridge program.	

Z	BODY MATERIAL
A	HIGH-STRENGTH ALUMINUM
S	DUCTILE IRON