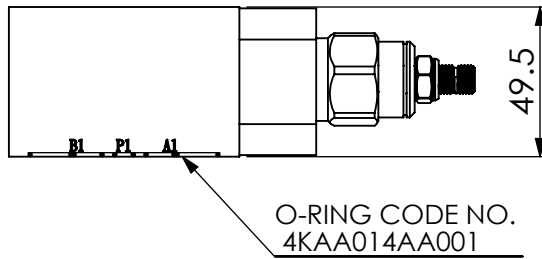
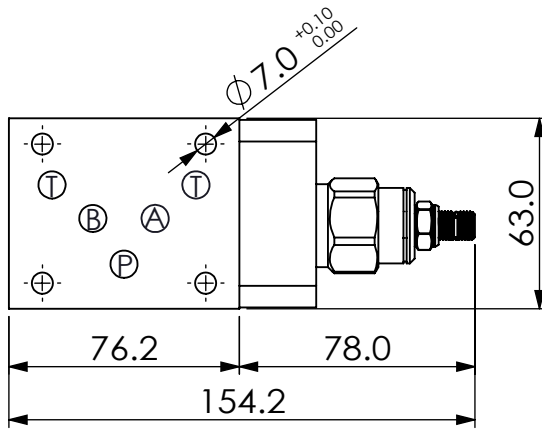
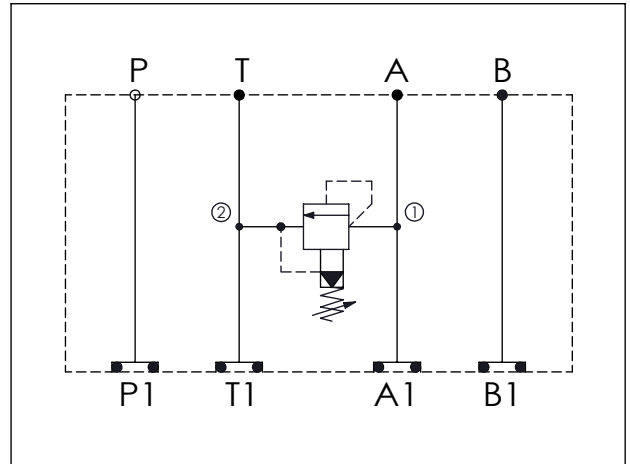


Ordering Code: **MH05RAH-X-Y-Z 01**

Stack Height : 49.5mm



UNIT:mm



TECHNICAL DATA

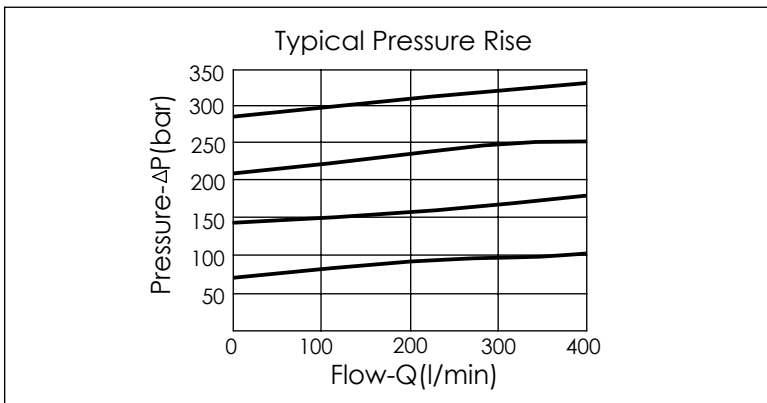
Aluminum Body Pressure Rating: 210 bar
 Ductile Iron Body Pressure Rating: 350 bar

Rated flow: 80 l/min

Cartridge Valve:
 Refer to RP3A-X-Y-Z
 * Refer to Winner Cartridge Valves Catalog.

| | |
|--------------|--|
| Aluminum | 0.72 kg(WITHOUT VALVE) 1.02 kg(INCLUDE VALVE) |
| Ductile Iron | 2.09 kg(WITHOUT VALVE) 2.39 kg(INCLUDE VALVE) |

* If you need the special specification. Please contact us.



| | |
|--|-------------------------------------|
| X | SELECTION FOR A PORT CONTROL |
| 3A2 | CAVITY ONLY(WITHOUT VALVE) |
| RPOA | RP3A20AL (200 LPM , 7-210bar) |
| Please refer to the list price of cartridge program. | |

| | |
|----------|-------------------------------------|
| Y | SELECTION FOR B PORT CONTROL |
| N | WITHOUT PORT |
| | |
| | |
| | |
| | |
| | |
| | |

| | |
|----------|------------------------|
| Z | BODY MATERIAL |
| A | HIGH-STRENGTH ALUMINUM |
| S | DUCTILE IRON |
| | |
| | |
| | |
| | |
| | |