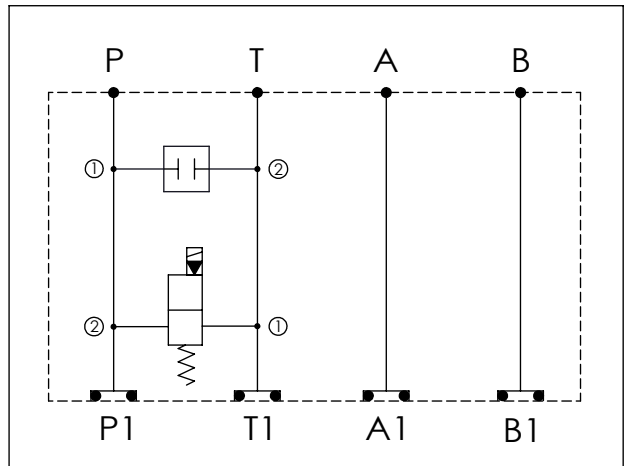


ISO 05 SANDWICH MANIFOLD

Ordering Code: **MH05RPD-X-Y-Z 01**

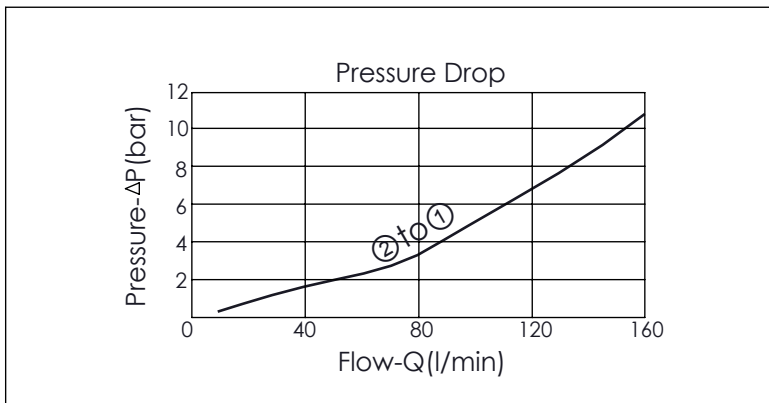
Stack Height : 49.5mm

UNIT:mm



TECHNICAL DATA	
Aluminum Body Pressure Rating:	210 bar
Ductile Iron Body Pressure Rating:	350 bar
Rated flow:	80 l/min
Cartridge Valve:	Refer to CP-12W-X-Y-Z EP12W-X-Y-Z
* Refer to Winner Cartridge Valves Catalog.	
Aluminum	0.85 kg(WITHOUT VALVES) 1.5 kg(INCLUDE VALVES, WITHOUT COIL)
Ductile Iron	2.57 kg(WITHOUT VALVES) 3.22 kg(INCLUDE VALVES, WITHOUT COIL)

* If you need the special specification. Please contact us.



X	(PORT ① TO ②, NEAR "B" PORT SIDE)
12W2	CAVITY ONLY(WITHOUT VALVE)
CP00	CP12W2H00NN(1-1/16"-12UN-2B , All Ports Blocked)
Please refer to the list price of cartridge program.	

Y	SELECTION FOR SOLENOID VALVES (PORT ② TO ①, NEAR "A" PORT SIDE, REFER TO EP12W-X-Y-Z)
12W2	CAVITY ONLY(WITHOUT VALVE)
EP01	EP12W2A01M05 , 150LPM,350bar (NORMALLY CLOSED,WITHOUT COIL)
EP02	EP12W2A02N05 , 150LPM,350bar (NORMALLY OPEN,WITHOUT COIL)
EP01M	EP12W2A01M05 , 150LPM,350bar(NORMALLY CLOSED WITH KNOB STYLE MANUAL OVERRIDE,WITHOUT COIL)
EP02P	EP12W2A02P05 , 150LPM,350bar(NORMALLY OPEN WITH PUSH STYLE MANUAL OVERRIDE,WITHOUT COIL)
COIL MUST BE ORDERED SEPARATELY (REFER TO EC-04W-X-Y-Z)	

Z	BODY MATERIAL
A	HIGH-STRENGTH ALUMINUM
S	DUCTILE IRON