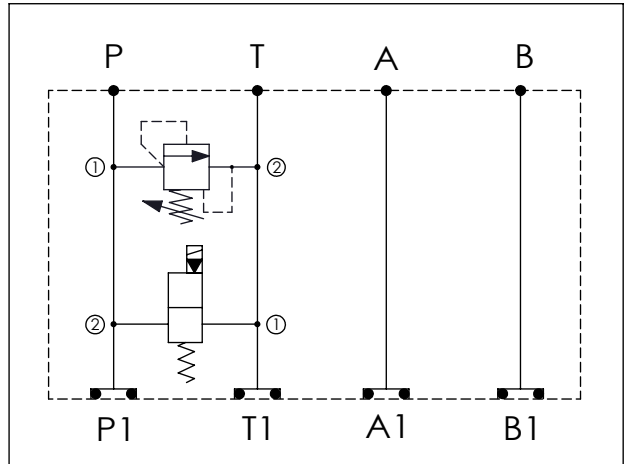


## ISO 05 SANDWICH MANIFOLD

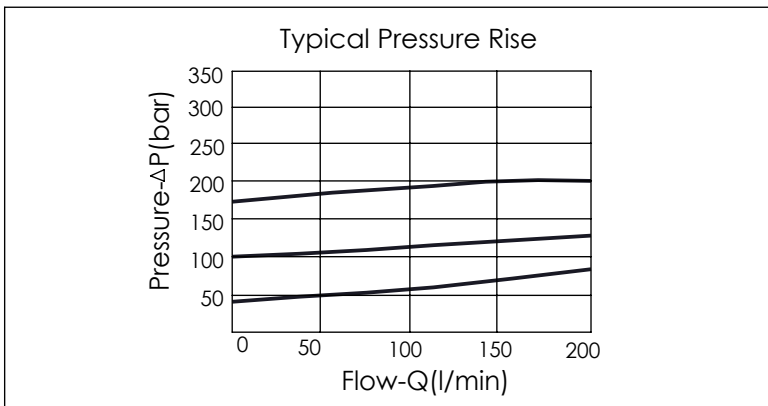
Ordering Code: **MH05RPK-X-Y-Z01**

Stack Height : 49.5mm

UNIT:mm



TECHNICAL DATA	
Aluminum Body Pressure Rating:	210 bar
Ductile Iron Body Pressure Rating:	350 bar
Rated flow:	80 l/min
Cartridge Valve:	Refer to EP12W-X-Y-Z RD3A-X-Y-Z
* Refer to Winner Cartridge Valves Catalog.	
Aluminum	0.89 kg(WITHOUT VALVES) 1.49 kg(INCLUDE VALVES ,WITHOUT COIL)
Ductile Iron	2.59 kg(WITHOUT VALVES) 3.19 kg(INCLUDE VALVES ,WITHOUT COIL)



\* If you need the special specification. Please contact us.

Y	SELECTION FOR B PORT CONTROL
<b>3A2</b>	CAVITY ONLY(WITHOUT VALVE)
<b>RD5A</b>	RD3A25AL (200LPM,35-210bar)

X	SELECTION FOR A PORT CONTROL (REFER TO EP12W-X-Y-Z)
<b>12W2</b>	CAVITY ONLY(WITHOUT VALVE)
<b>EP01</b>	EP12W2A01N05 , 150LPM,350bar (NORMALLY CLOSED,WITHOUT COIL)
<b>EP02</b>	EP12W2A02N05 , 150LPM,350bar (NORMALLY OPEN,WITHOUT COIL)
<b>EP01M</b>	EP12W2A01M05 , 150LPM,350bar(NORMALLY CLOSED WITH KNOB STYLE MANUAL OVERRIDE,WITHOUT COIL)
<b>EP02P</b>	EP12W2A02P05 , 150LPM,350bar(NORMALLY OPEN WITH PUSH STYLE MANUAL OVERRIDE,WITHOUT COIL)
COIL MUST BE ORDERED SEPARATELY (REFER TO EC-04W-X-Y-Z)	

Z	BODY MATERIAL
<b>A</b>	HIGH-STRENGTH ALUMINUM
<b>S</b>	DUCTILE IRON

Please refer to the list price of cartridge program.