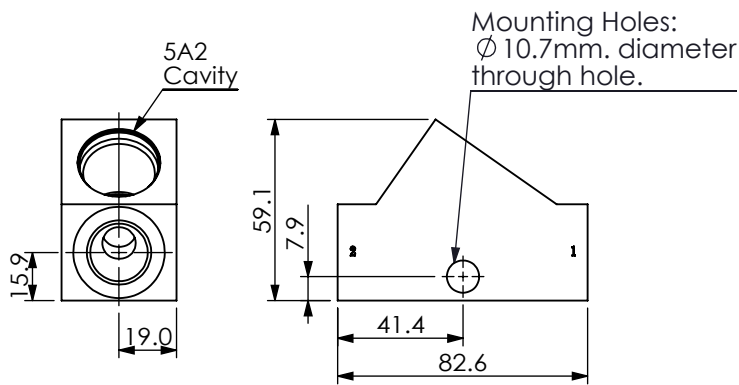
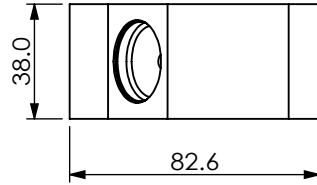
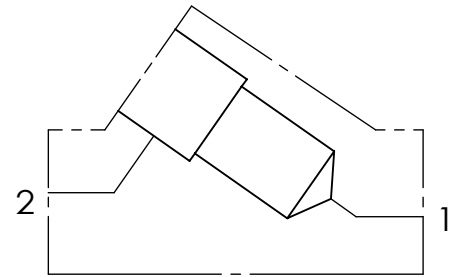


Ordering Code: **ML-5A2-X-Y 41-Z**



UNIT:mm



TECHNICAL DATA

Aluminum Body Pressure Rating: 210 bar
Steel Body Pressure Rating: 350 bar

Cavity:

Refer to 5A2

* Refer to Winner Cartridge Valves Catalog.

Aluminum	0.25 kg(WITHOUT VALVES)
Steel	0.69 kg(WITHOUT VALVES)

* If you need the special specification. Please contact us.

PORT SIZE

X	PORT		
	1	2	
G04	G 1/2"	G 1/2"	

Y BODY MATERIAL

A HIGH-STRENGTH ALUMINUM

T STEEL (black oxide)

Z CARTRIDGE VALVES SELECTION

WITHOUT VALVE

CV2003 CV5A2003N(160LPM,0.3bar)

FR0A FR5A20AL(45LPM,350bar)

NV33 NV5A2033L(350bar)

Please refer to the list price of cartridge program.