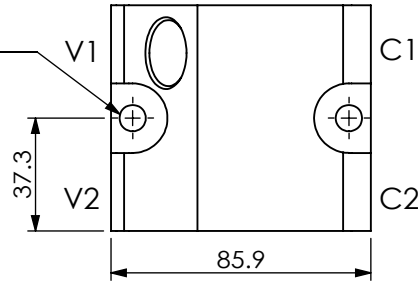
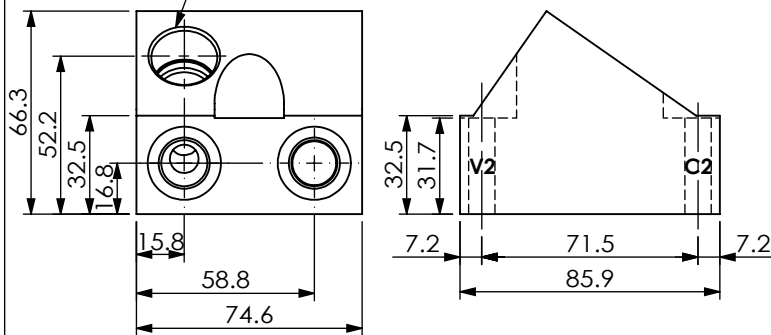


Ordering Code: **ML-11A3-X-Y 41-Z**

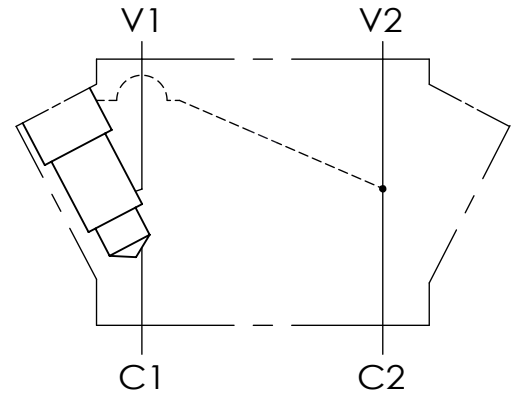
Mounting Holes:
 $\varnothing 8.7$ mm. diameter
 through hole.
 2 places.



11A3 Cavity
 Locating Shoulder
 Depth 17.5 mm.



UNIT:mm



TECHNICAL DATA

Aluminum Body Pressure Rating: 210 bar
 Ductile Iron
 Body Pressure Rating: 350 bar

Cavity:

Refer to 11A3

* Refer to Winner Cartridge Valves Catalog.

Aluminum	0.68 kg(WITHOUT VALVES)
Ductile Iron	1.96 kg(WITHOUT VALVES)

* If you need the special specification.
 Please contact us.

PORT SIZE

X	PORTS		
	V1,V2	C1,C2	
G03	G 3/8"	G 3/8"	
G04	G 1/2"	G 1/2"	
S08	SAE 8	SAE 8	

Y BODY MATERIAL

A HIGH-STRENGTH ALUMINUM

S DUCTILE IRON

Z CARTRIDGE VALVES SELECTION

WITHOUT VALVE

CB3H CB11A33HL (3:1,70-280bar)

CO03 CO11A3003N (60LPM,0.3bar)

Please refer to the list price of cartridge program.