

Ordering Code: **ML-11A3-X-Y 05-Z**

UNIT:mm

Ordering Code: **ML-11A3-G03A-A05-CB3H** **ML-11A3-G03A-A05-CO20**

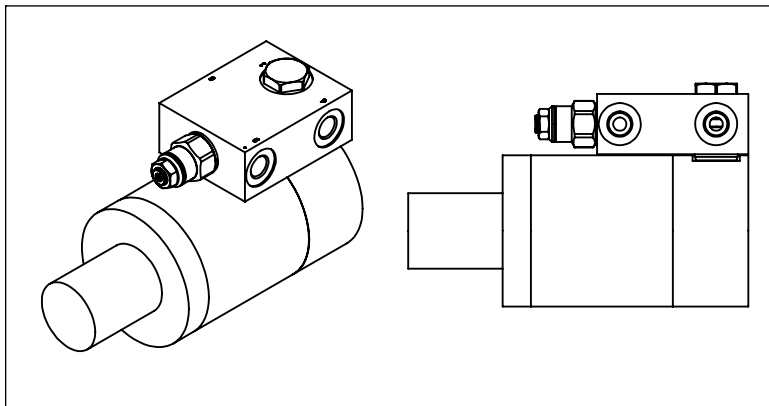
TECHNICAL DATA

Aluminum Body Pressure Rating: 210 bar
Steel Body Pressure Rating: 350 bar

Cavity:
Refer to 11A3
* Refer to Winner Cartridge Valves Catalog.

Aluminum	0.45 kg(WITHOUT VALVES)
Steel	1.04 kg(WITHOUT VALVES)

* If you need the special specification. Please contact us.



X	PORT SIZE		
	PORTS	PORTS	
	1,2	3,4	
G03A	G 3/8"	G 1/4"	

Y	BODY MATERIAL	
A	HIGH-STRENGTH ALUMINUM	
T	STEEL (black oxide)	

Z	CARTRIDGE VALVES SELECTION	
	WITHOUT VALVE	
CB3H	CB11A33HL (3:1,70-280bar)	
CO20	CO11A3020N (60LPM,2.0bar)	
	Please refer to the list price of cartridge program.	