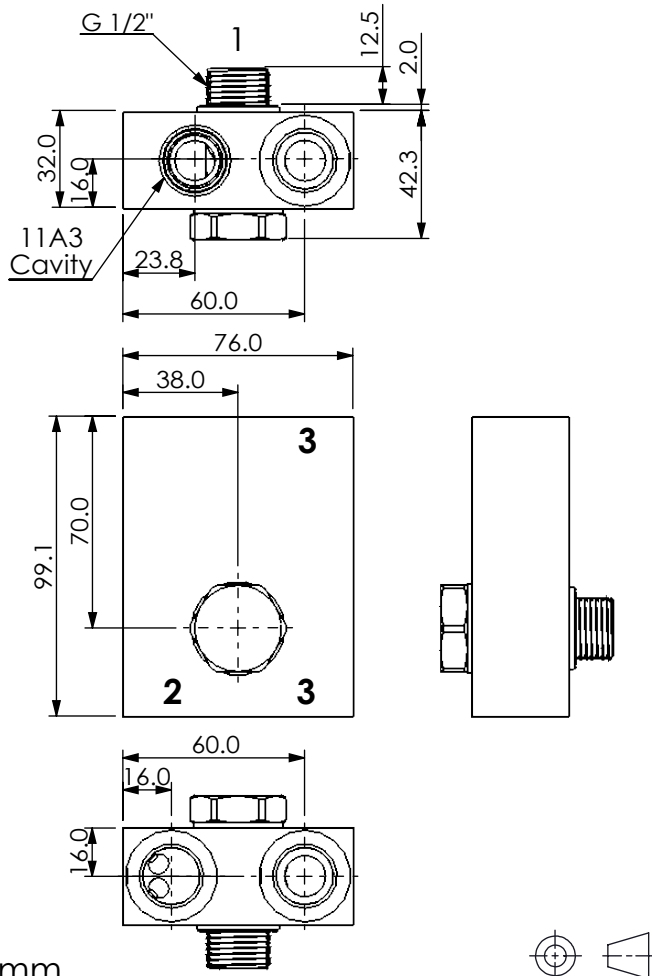
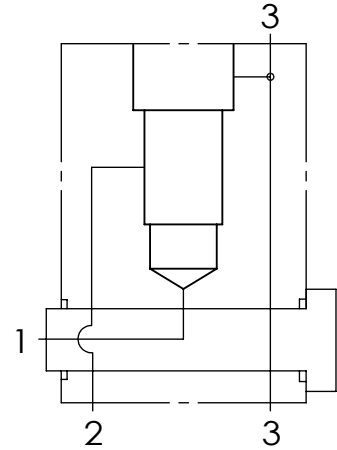


## LINE MOUNT BODIES

Ordering Code: **ML-11A3-X-Y 51-Z**



UNIT:mm



### TECHNICAL DATA

Aluminum Body Pressure Rating: 210 bar

Steel Body Pressure Rating: 350 bar

Cavity:

Refer to 11A3

\* Refer to Winner Cartridge Valves Catalog.

Aluminum	0.61 kg(WITHOUT VALVES)
----------	-------------------------

\* If you need the special specification. Please contact us.

### PORT SIZE

X	PORT	PORTS	
	1	2,3	
<b>G04</b>	G 1/2"	G 1/2"	

### Y BODY MATERIAL

**C** HIGH-STRENGTH ALUMINUM  
(Clear anodize)

**A** HIGH-STRENGTH ALUMINUM

### Z CARTRIDGE VALVES SELECTION

WITHOUT VALVE

**CB3H** CB11A33HL (3:1,70-280bar)

**CO20** CO11A3020N (60LPM,2.0bar)

Please refer to the list price of cartridge program.