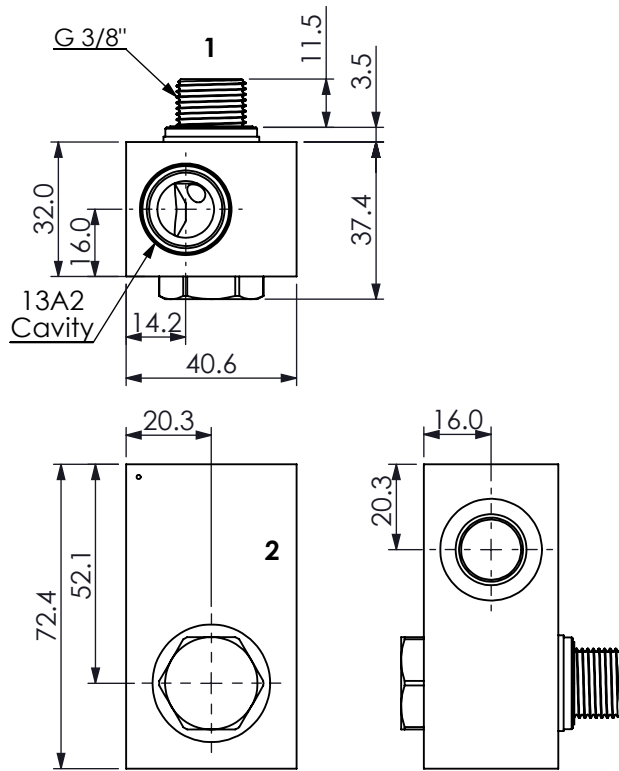
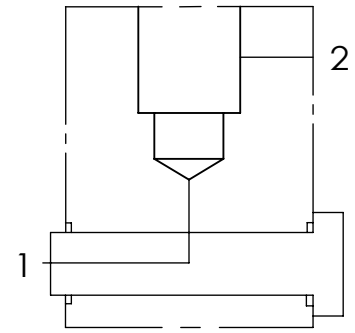


Ordering Code: **ML-13A2-X-Y 05-Z**



UNIT:mm



TECHNICAL DATA

Aluminum Body Pressure Rating: 210 bar

Steel Body Pressure Rating: 350 bar

Cavity:

Refer to 13A2

* Refer to Winner Cartridge Valves Catalog.

Aluminum	0.27 kg(WITHOUT VALVES)
----------	-------------------------

* If you need the special specification. Please contact us.

PORT SIZE

X	PORT		
	1	2	
G03	G 3/8"	G 3/8"	

Y BODY MATERIAL

A HIGH-STRENGTH ALUMINUM

Z CARTRIDGE VALVES SELECTION

WITHOUT VALVE

CV2003 CV13A2003N (80LPM,0.3bar)

NV48 NV13A2048L (350bar)

NCBA NC13A21BAL (0.3bar)

FR0A FR13A20AL (23LPM,350bar)

LS0G LS13A20NG02 (10LPM)

Please refer to the list price of cartridge program.