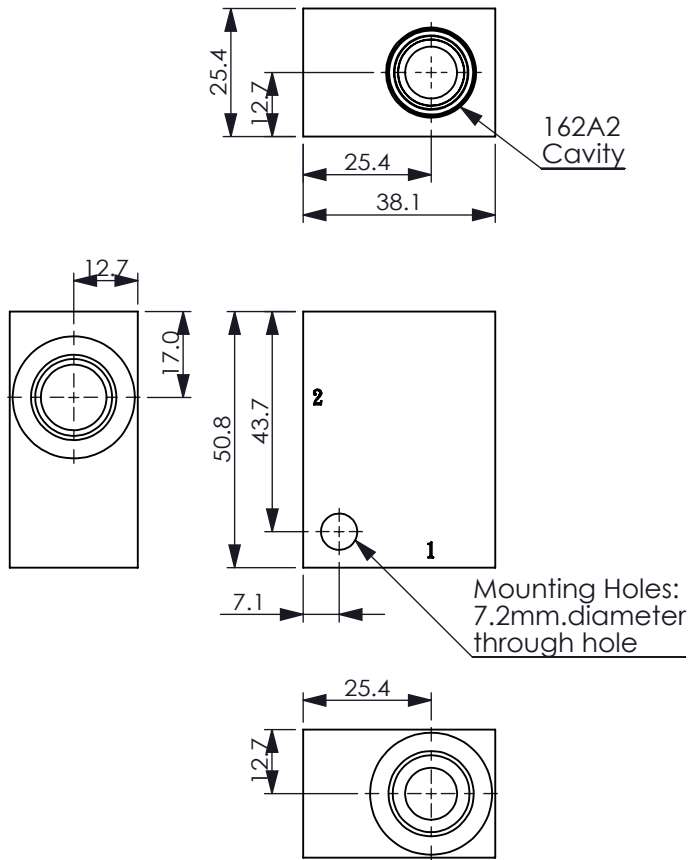
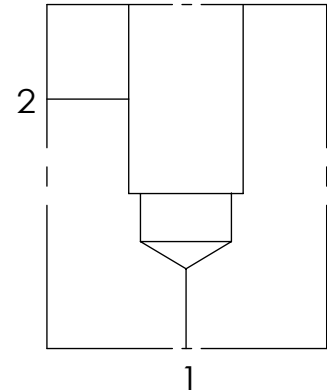


Ordering Code: **ML-162A2-X-Y 01-Z**



UNIT:mm



### TECHNICAL DATA

Aluminum Body Pressure Rating: 210 bar

Steel Body Pressure Rating: 350 bar

Cavity:

Refer to 162A2

\* Refer to Winner Cartridge Valves Catalog.

Aluminum	0.12 kg(WITHOUT VALVES)
Steel	0.35 kg(WITHOUT VALVES)

\* If you need the special specification. Please contact us.

### PORT SIZE

X	PORT		
	1	2	
<b>A02</b>	1/4" NPT	1/4" NPT	
<b>G02</b>	G1/4"	G1/4"	
<b>G03</b>	G3/8"	G3/8"	
<b>S06</b>	SAE 6	SAE 6	

### Y BODY MATERIAL

**A** HIGH-STRENGTH ALUMINUM

**T** STEEL (black oxide)

### Z CARTRIDGE VALVES SELECTION

WITHOUT VALVE