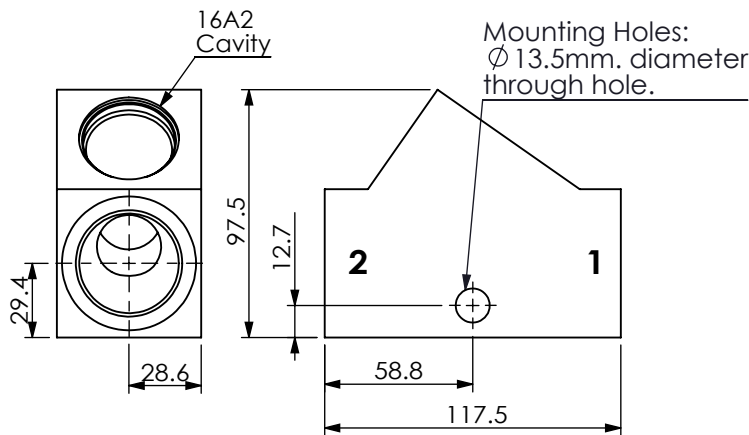
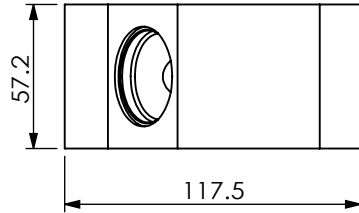
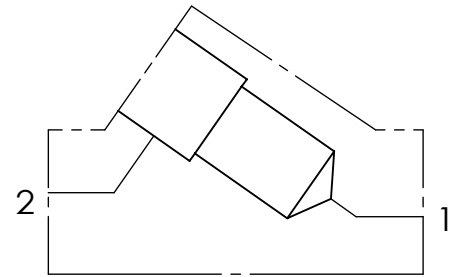


Ordering Code: **ML-16A2-X-Y 41-Z**



UNIT:mm



TECHNICAL DATA

Aluminum Body Pressure Rating: 210 bar
Steel Body Pressure Rating: 350 bar

Cavity:

Refer to 16A2

* Refer to Winner Cartridge Valves Catalog.

Aluminum	0.9 kg(WITHOUT VALVES)
Steel	2.62 kg(WITHOUT VALVES)

* If you need the special specification. Please contact us.

PORT SIZE

X	PORT		
	1	2	
G06	G 3/4"	G 3/4"	
G08	G 1"	G 1"	
G10	G 1-1/4"	G 1-1/4"	

Y BODY MATERIAL

A	HIGH-STRENGTH ALUMINUM
T	STEEL (black oxide)

Z CARTRIDGE VALVES SELECTION

	WITHOUT VALVE
RPOA	RP16A20AL(380 LPM,7~210 bar)
CV2003	CV16A2003N (320LPM,0.3bar)
FROA	FR16A20AL (0.8-95LPM)

Please refer to the list price of cartridge program.