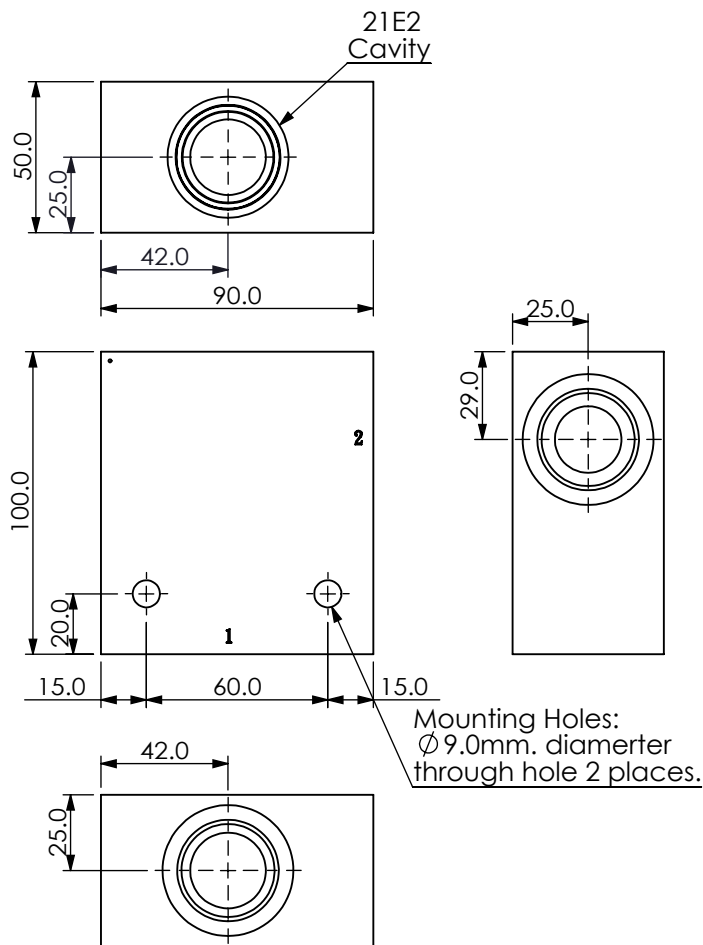
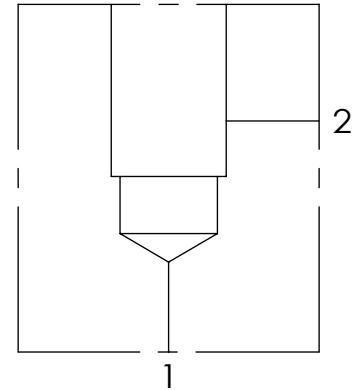


Ordering Code: **ML-21E2-X-Y 01-Z**



UNIT:mm



TECHNICAL DATA

Aluminum Body Pressure Rating: 210 bar

Steel Body Pressure Rating: 350 bar

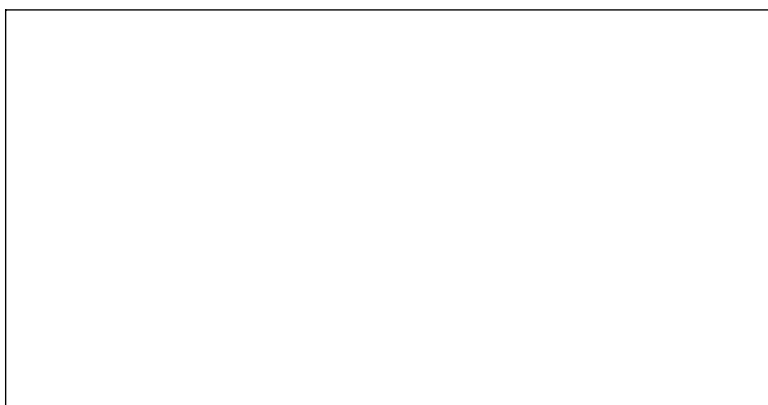
Cavity:

Refer to 21E2

* Refer to Winner Cartridge Valves Catalog.

Aluminum	0.95 kg(WITHOUT VALVES)
Steel	2.65 kg(WITHOUT VALVES)

* If you need the special specification.
Please contact us.



PORT SIZE

X	PORT SIZE		
	PORT 1	PORT 2	
G06	G 3/4"	G 3/4"	
G08	G 1"	G 1"	

Y BODY MATERIAL

A HIGH-STRENGTH ALUMINUM

T STEEL (black oxide)

Z CARTRIDGE VALVES SELECTION

WITHOUT VALVE

CV2210 CV21E2210N(100LPM,1.0bar)

NV0N NV21E20NL(350bar)

EP01 EP21E2A01N05 , 150LPM,350bar
(NORMALLY CLOSED,WITHOUT COIL)

EP02 EP21E2A02N05 , 150LPM,350bar
(NORMALLY OPEN,WITHOUT COIL)

COIL MUST BE ORDERED SEPARATELY
(REFER TO EC-04W-X-Y-Z)