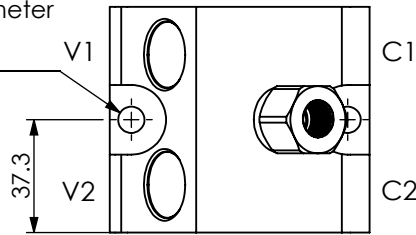
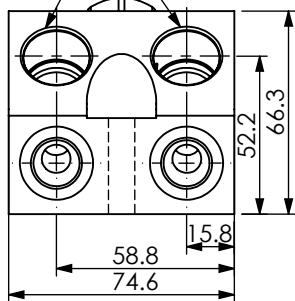


Ordering Code: **ML-60-CDK-X-Y-Z-A41**

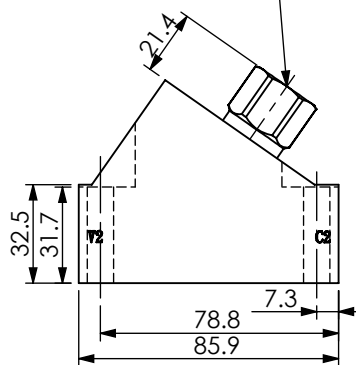
Mounting Holes:
 $\varnothing 8.7$ mm. diameter
 through hole.
 2 places.



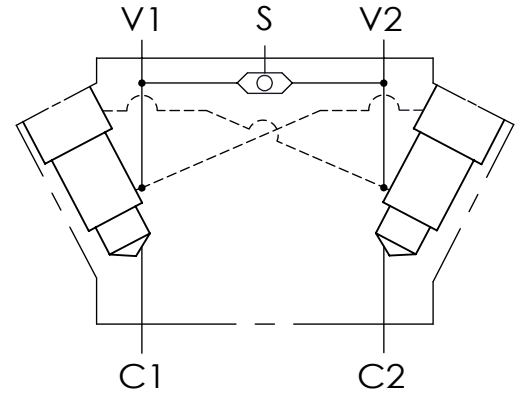
11A3 Cavity
 Locating Shoulder
 Depth 17.5 mm.
 2 places.



Shuttle port "S"
 in end of hex.



UNIT:mm



TECHNICAL DATA

Aluminum Body Pressure Rating: 210 bar

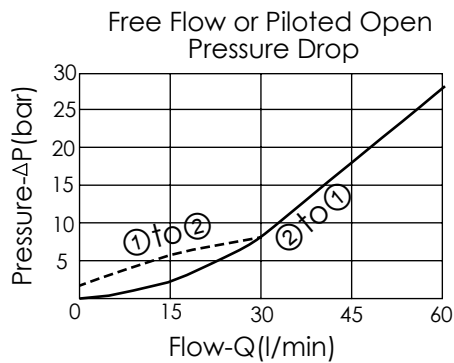
Steel Body Pressure Rating: 350 bar

Cavity:
 Refer to 11A3

Shuttle valve:
 Refer to LS13A20NG02
 * Refer to Winner Cartridge Valves Catalog.

Aluminum	0.72 kg(WITHOUT CONTERBALAN VALVE) (WITH SHUTTLE VALVE)
----------	--

* If you need the special specification.
 Please contact us.



X CARTRIDGE VALVES SELECTION

11A3	CAVITY ONLY(WITHOUT VALVE)
CB0J	CB11A30JL , 10:1 , 350bar
CB4J	CB11A34JL , 4.5:1 , 350bar

Please refer to the list price of cartridge program.

Y CARTRIDGE VALVES SELECTION

11A3	CAVITY ONLY(WITHOUT VALVE)
CB0J	CB11A30JL , 10:1 , 350bar
CB4J	CB11A34JL , 4.5:1 , 350bar

Please refer to the list price of cartridge program.

Z PORT SIZE

Z	PORT	PORT	PORT
	V1,V2	C1,C2	S
G03	G 3/8"	G 3/8"	G 1/4"
S08	SAE 8	SAE 8	SAE 4