

Ordering Code: **ML-120-CDK-X-Y-Z-A41**

**ML-120-CDK-X-Y-Z-S41**

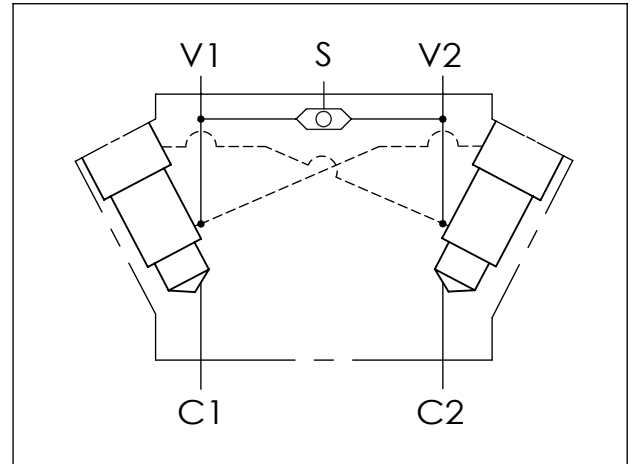
Mounting Holes:  
 $\varnothing 8.7$ mm. diameter through hole.  
 2 places.

V1  
V2  
C1  
C2

2A3 Cavity Locating Shoulder  
 Depth 18.3 mm.  
 2 places.

Shuttle port "S"  
 in end of hex.

UNIT:mm



### TECHNICAL DATA

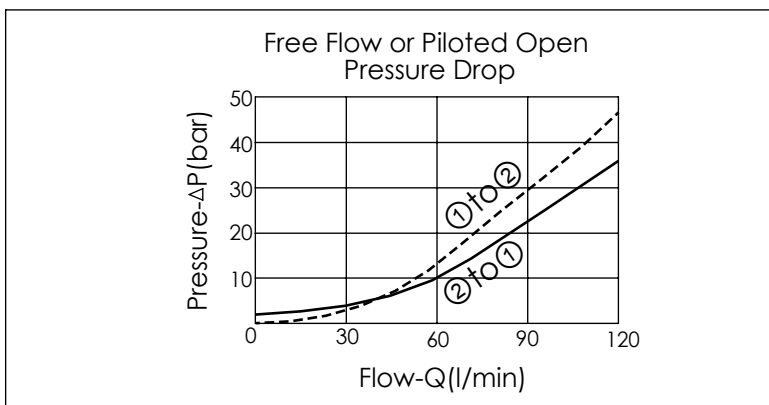
Aluminum (A41)	210 bar
Body Pressure Rating:	
Ductile Iron(S41)	350 bar
Body Pressure Rating:	

Cavity:  
 Refer to 2A3

Shuttle valve:  
 Refer to LS13A20NG02  
 \* Refer to Winner Cartridge Valves Catalog.

Aluminum	1.25 kg(WITHOUT CONTERBALAN VALVE) (WITH SHUTTLE VALVE)
DUCTILE IRON	3.45 kg(WITHOUT CONTERBALAN VALVE) (WITH SHUTTLE VALVE)

\* If you need the special specification.  
 Please contact us.



### X CARTRIDGE VALVES SELECTION

<b>2A3</b>	CAVITY ONLY(WITHOUT VALVE)
<b>CB0J</b>	CB2A30JL , 10:1 , 350bar
<b>CB4J</b>	CB2A34JL , 4.5:1 , 350bar

Please refer to the list price of cartridge program.

### Y CARTRIDGE VALVES SELECTION

<b>2A3</b>	CAVITY ONLY(WITHOUT VALVE)
<b>CB0J</b>	CB2A30JL , 10:1 , 350bar
<b>CB4J</b>	CB2A34JL , 4.5:1 , 350bar

Please refer to the list price of cartridge program.

### Z PORT SIZE

Z	PORTS	PORTS	PORT
	V1,V2	C1,C2	S
<b>G04</b>	G 1/2"	G 1/2"	G 1/4"
<b>G06</b>	G 3/4"	G 3/4"	G 1/4"