

### TECHNICAL DATA

Aluminum (A42)	Body Pressure Rating:	210 bar
Ductile Iron(S42)	Body Pressure Rating:	350 bar

Cavity:  
Refer to 11A3  
\* Refer to Winner Cartridge Valves Catalog.

Aluminum	0.52 kg(WITHOUT VALVES)
----------	-------------------------

DUCTILE IRON	1.51 kg(WITHOUT VALVES)
--------------	-------------------------

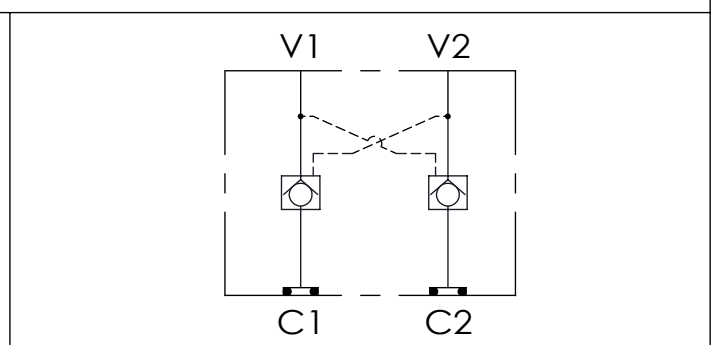
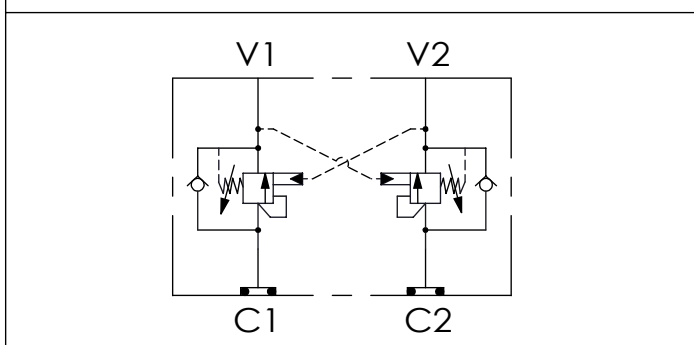
\* If you need the special specification. Please contact us.

Y	SELECTION FOR V2 PORT CONTROL
<b>11A3</b>	CAVITY ONLY(WITHOUT VALVE)
<b>CB3H</b>	CB11A33HL (3:1 , 280bar)
<b>CO20</b>	CO11A3020N (2.0bar)
Please refer to the list price of cartridge program.	

X	SELECTION FOR V1 PORT CONTROL
<b>11A3</b>	CAVITY ONLY(WITHOUT VALVE)
<b>CB3H</b>	CB11A33HL (3:1 , 280bar)
<b>CO20</b>	CO11A3020N (2.0bar)

Z	PORT SIZE	
	PORTS	
<b>G03</b>	G 3/8"	
<b>S08</b>	SAE 8	

### HYDRAULIC CIRCUITS(WITH VALVES)



Ordering Code: **ML-60-CDW-CB3H-CB3H-Z-A42**

Ordering Code: **ML-60-CDW-CO20-CO20-Z-A42**