

TECHNICAL DATA

Aluminum (A41)	210 bar
Body Pressure Rating:	
Ductile Iron(S41)	350 bar
Body Pressure Rating:	

Cavity:
 Refer to 2A3

* Refer to Winner Cartridge Valves Catalog.

Aluminum	1.18 kg(WITHOUT VALVES)
Ductile Iron	3.45 kg(WITHOUT VALVES)

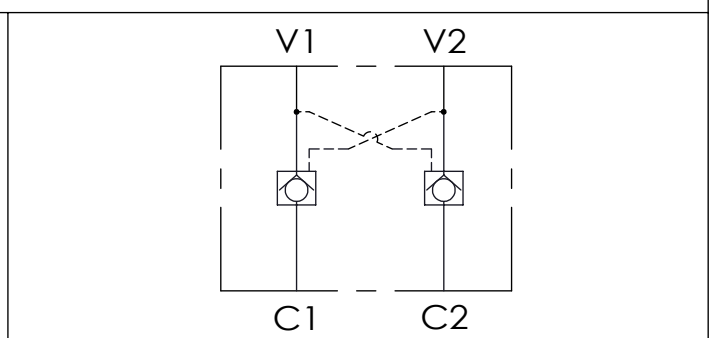
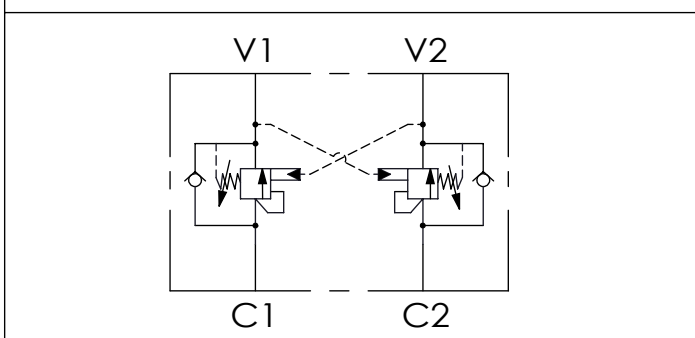
* If you need the special specification. Please contact us.

Y	SELECTION FOR V2 PORT CONTROL
2A3	CAVITY ONLY(WITHOUT VALVE)
CB3H	CB2A33HL (3:1 , 280bar)
CO20	CO2A3020N (2.0bar)
Please refer to the list price of cartridge program.	

X	SELECTION FOR V1 PORT CONTROL
2A3	CAVITY ONLY(WITHOUT VALVE)
CB3H	CB2A33HL (3:1 , 280bar)
CO20	CO2A3020N (2.0bar)

Z	PORT SIZE	
	PORTS V1,V2	PORTS C1,C2
G04	G 1/2"	G 1/2"
G06	G 3/4"	G 3/4"

HYDRAULIC CIRCUITS(WITH VALVES)



Ordering Code: **ML-120-CDW-CB3H-CB3H-Z-A41**

Ordering Code: **ML-120-CDW-CO20-CO20-Z-A41**