

### TECHNICAL DATA

Aluminum Body Pressure Rating: 210 bar  
 Steel Body Pressure Rating: 350 bar

Cavity:  
 Refer to 2A3  
 \* Refer to Winner Cartridge Valves Catalog.

Aluminum	1.02 kg(WITHOUT VALVES)

\* If you need the special specification. Please contact us.

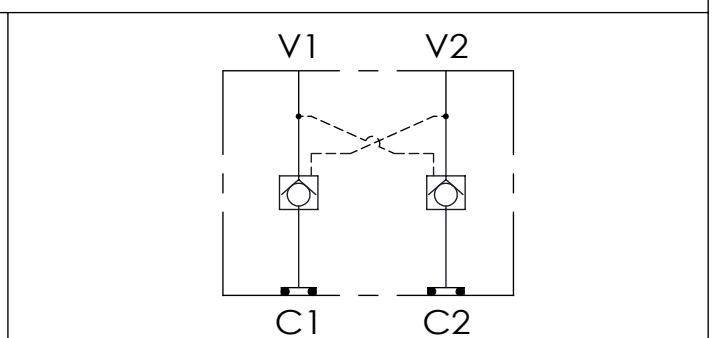
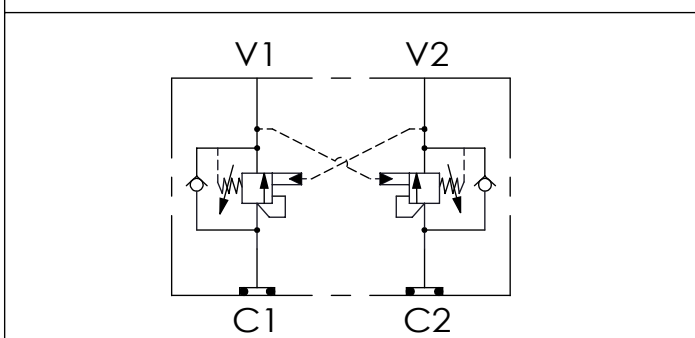
Y	SELECTION FOR V2 PORT CONTROL
<b>2A3</b>	CAVITY ONLY(WITHOUT VALVE)
<b>CB3H</b>	CB2A33HL (3:1 , 280bar)
<b>CO20</b>	CO2A3020N (2.0bar)

Please refer to the list price of cartridge program.

X	SELECTION FOR V1 PORT CONTROL
<b>2A3</b>	CAVITY ONLY(WITHOUT VALVE)
<b>CB3H</b>	CB2A33HL (3:1 , 280bar)
<b>CO20</b>	CO2A3020N (2.0bar)

Z	PORT SIZE	
	PORTS	
<b>G04</b>	V1,V2	
	G 1/2"	

### HYDRAULIC CIRCUITS(WITH VALVES)



Ordering Code: **ML-120-CDW-CB3H-CB3H-Z-A42**

Ordering Code: **ML-120-CDW-CO20-CO20-Z-A42**