

### TECHNICAL DATA

Aluminum (A01)	Body Pressure Rating:	210 bar
Steel (T01)	Body Pressure Rating:	350 bar

Cavity:  
 Refer to 17A3

\* Refer to Winner Cartridge Valves Catalog.

Aluminum	2.2 kg(WITHOUT VALVES)
Steel	6.24 kg(WITHOUT VALVES)

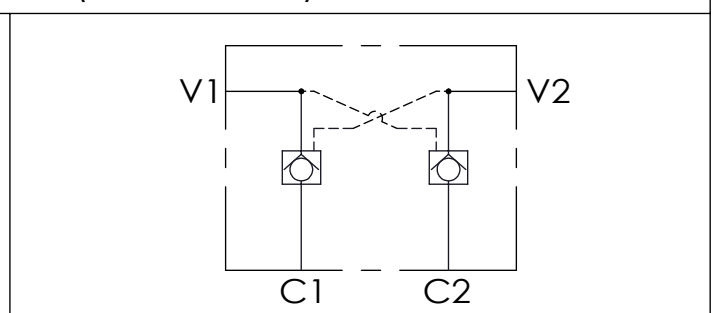
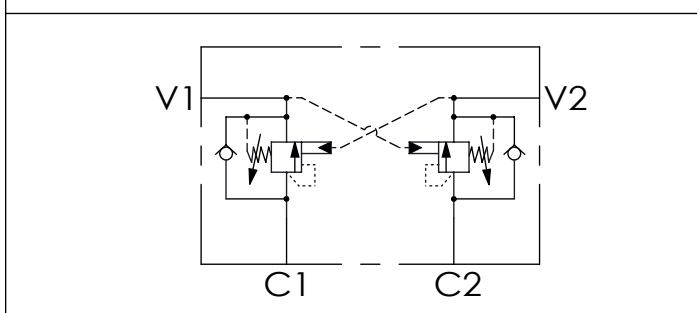
\* If you need the special specification.  
 Please contact us.

Z	PORT SIZE	
	PORTS V1,V2	PORTS C1,C2
<b>G06</b>	G 3/4"	G 3/4"
<b>G08</b>	G 1"	G 1"
<b>G10</b>	G1-1/4"	G1-1/4"
<b>S12</b>	SAE 12	SAE 12
<b>S16</b>	SAE 16	SAE 16
<b>S20</b>	SAE 20	SAE 20

X	SELECTION FOR V1 PORT CONTROL
<b>17A3</b>	CAVITY ONLY(WITHOUT VALVE)
<b>CBCH</b>	CB17A3CHL (3:1 , 280bar)
<b>CO20</b>	CO17A3020N (2.0bar)

Y	SELECTION FOR V2 PORT CONTROL
<b>17A3</b>	CAVITY ONLY(WITHOUT VALVE)
<b>CBCH</b>	CB17A3CHL (3:1 , 280bar)
<b>CO20</b>	CO17A3020N (2.0bar)

### HYDRAULIC CIRCUITS(WITH VALVES)



Ordering Code: **ML-240-CDW-CBCH-CBCH-Z-A01**

Ordering Code: **ML-240-CDW-CO20-CO20-Z-A01**