

TECHNICAL DATA

Aluminum (A41)	Body Pressure Rating:	210 bar
Ductile Iron (S41)	Body Pressure Rating:	350 bar

Cavity:
 Refer to 17A3

* Refer to Winner Cartridge Valves Catalog.

Aluminum	2.09 kg(WITHOUT VALVES)
Ductile Iron	6.1 kg(WITHOUT VALVES)

* If you need the special specification.
 Please contact us.

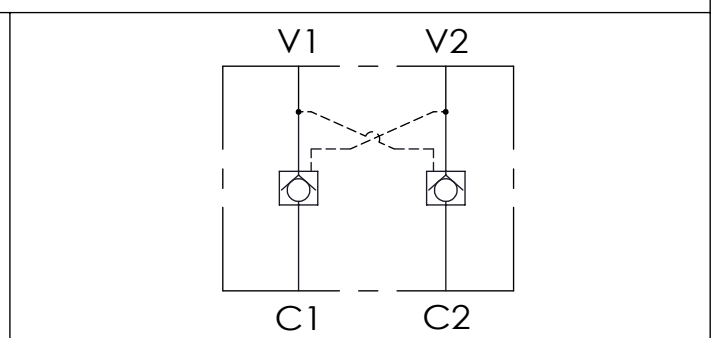
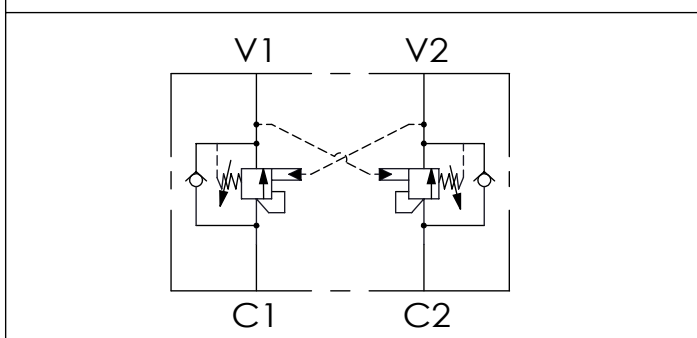
Y	SELECTION FOR V2 PORT CONTROL
17A3	CAVITY ONLY(WITHOUT VALVE)
CBCH	CB17A3CHL (3:1 , 280bar)
CO20	CO17A3020N (2.0bar)

Please refer to the list price of cartridge program.

X	SELECTION FOR V1 PORT CONTROL
17A3	CAVITY ONLY(WITHOUT VALVE)
CBCH	CB17A3CHL (3:1 , 280bar)
CO20	CO17A3020N (2.0bar)

Z	PORT SIZE	
	PORTS V1,V2	PORTS C1,C2
G08	G 1"	G 1"

HYDRAULIC CIRCUITS(WITH VALVES)



Ordering Code: **ML-240-CDW-CBCH-CBCH-Z-A41**

Ordering Code: **ML-240-CDW-CO20-CO20-Z-A41**