

## LINE MOUNT BODIES

Ordering Code: **ML-60-FRW-X-Y-Z-A01**  
**ML-60-FRW-X-Y-Z-T01**

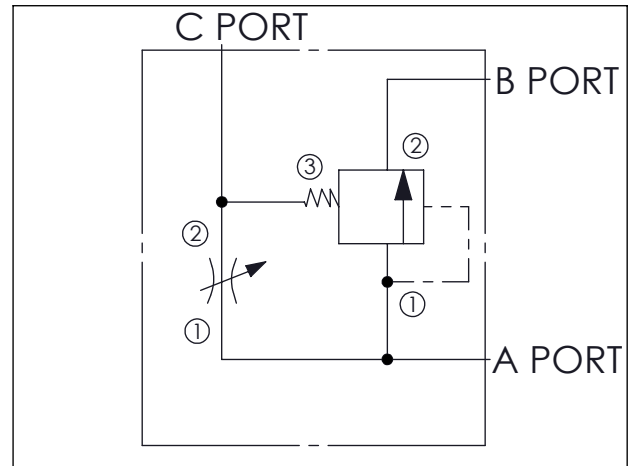
Metric: M8\*1.25-6H  
 \*13.0mm deep  
 2 places.

LR11A

NV13A

Mounting Holes:  
 Ø8.7mm. diameter  
 through hole  
 2 places.

UNIT:mm



### TECHNICAL DATA

Aluminum (A01)  
 Body Pressure Rating: 210 bar

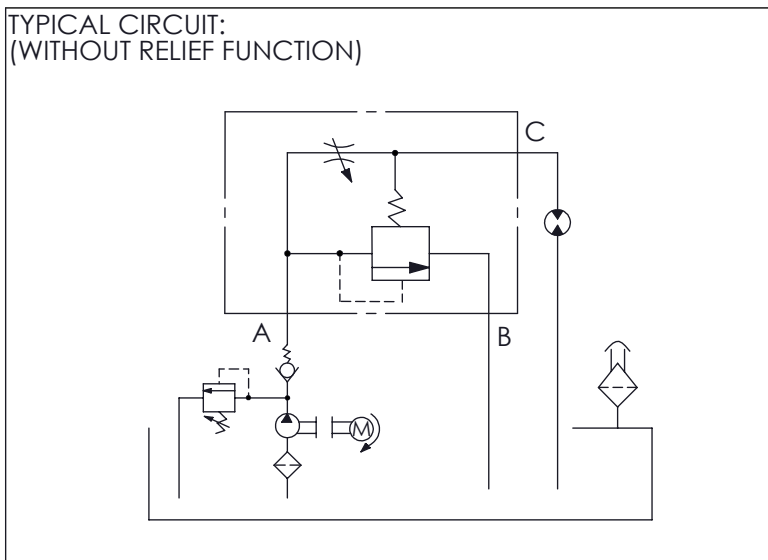
Steel (T01)  
 Body Pressure Rating: 350 bar

Rated flow: 60 LPM

Cavity:  
 Refer to 13A2  
 11A3  
 \* Refer to Winner Cartridge Valves Catalog.

Aluminum	0.49 kg (WITHOUT VALVES) 0.76 kg (INCLUDE VALVES)
Steel	1.44 kg (WITHOUT VALVES) 1.71 kg (INCLUDE VALVES)

\* If you need the special specification.  
 Please contact us.



X	NEEDLE VALVES
13A2	CAVITY ONLY (WITHOUT VALVE)
NV84	NV13A2884L
Please refer to the list price of cartridge program.	

Y	BYPASS COMPENSATOR
11A3	CAVITY ONLY (WITHOUT VALVE)
LR140	LR11A30140N (60LPM, ΔP=14bar)
Please refer to the list price of cartridge program.	

Z	PORT SIZE	
	PORTS A,B	PORT C
G04	G 1/2"	G 1/2"
S08	SAE 8	SAE 8