

TECHNICAL DATA

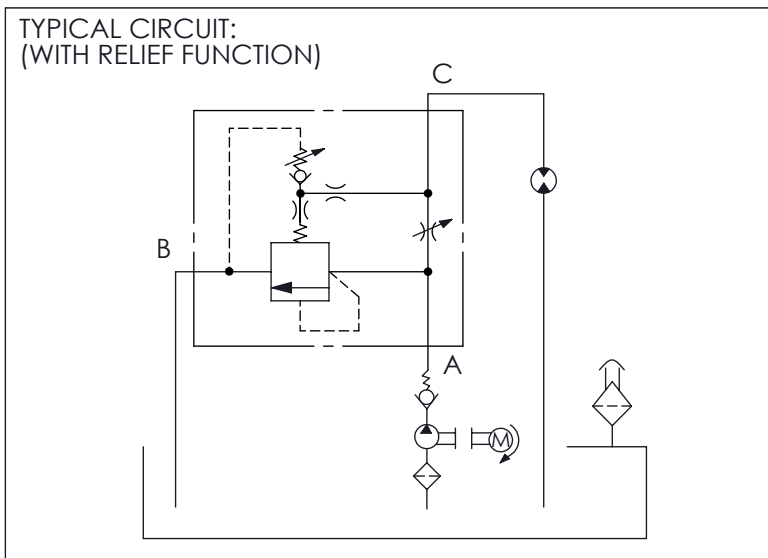
Aluminum (A01)	
Body Pressure Rating:	210 bar
Steel (T01)	
Body Pressure Rating:	350 bar

Rated flow: 60 LPM

Cavity:
Refer to 13A2
11A3
* Refer to Winner Cartridge Valves Catalog.

Aluminum	0.49 kg (WITHOUT VALVES) 0.79 kg (INCLUDE VALVES)
Steel	1.44 kg (WITHOUT VALVES) 1.74 kg (INCLUDE VALVES)

* If you need the special specification.
Please contact us.



X NEEDLE VALVES

13A2	CAVITY ONLY (WITHOUT VALVE)
NV84	NV13A2884L

Please refer to the list price of cartridge program.

PORT SIZE

Z	PORTS		
	A,B	C	
G04	G 1/2"	G 1/2"	
S08	SAE 8	SAE 8	

Y	BYPASS COMPENSATOR
11A3	CAVITY ONLY (WITHOUT VALVE)
RVBA	RV11A3BAL (40LPM, ΔP = 7bar)
Please refer to the list price of cartridge program.	