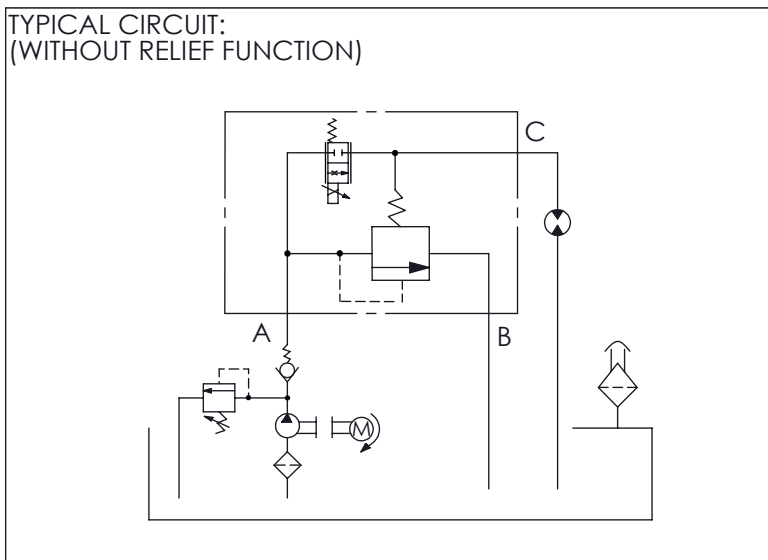


TECHNICAL DATA	
Aluminum (A01)	
Body Pressure Rating:	210 bar
Steel (T01)	
Body Pressure Rating:	350 bar
Rated flow:	40 LPM
Cavity: Refer to 13A2	
	11A3
* Refer to Winner Cartridge Valves Catalog.	
Aluminum	0.49 kg (WITHOUT VALVES) 0.89 kg (INCLUDE VALVES , WITHOUT COIL)
Steel	1.44 kg (WITHOUT VALVES) 1.84 kg (INCLUDE VALVES , WITHOUT COIL)
* If you need the special specification. Please contact us.	



X	SELECTION FOR FLOW CONTROL VALVE (REFER TO PFC13A-X-Y-Z)
13A2	CAVITY ONLY (WITHOUT VALVE)
PFC06	PFC13A2D0060N (0.4~6LPM)
PFC14	PFC13A2D0140N (0.6~14LPM)
PFC28	PFC13A2D0280N (0.8~28LPM)
PFC40	PFC13A2D0400N (1.0~40LPM)
COIL MUST BE ORDERED SEPARATELY (REFER TO EC-19A-X-Y-Z)	

Y	BYPASS COMPENSATOR
11A3	CAVITY ONLY (WITHOUT VALVE)
LR140	LR11A30140N (60LPM, $\Delta P = 14$ bar)
Please refer to the list price of cartridge program.	

Z	PORT SIZE	
	PORTS A,B	PORT C
G04	G 1/2"	G 1/2"
S08	SAE 8	SAE 8