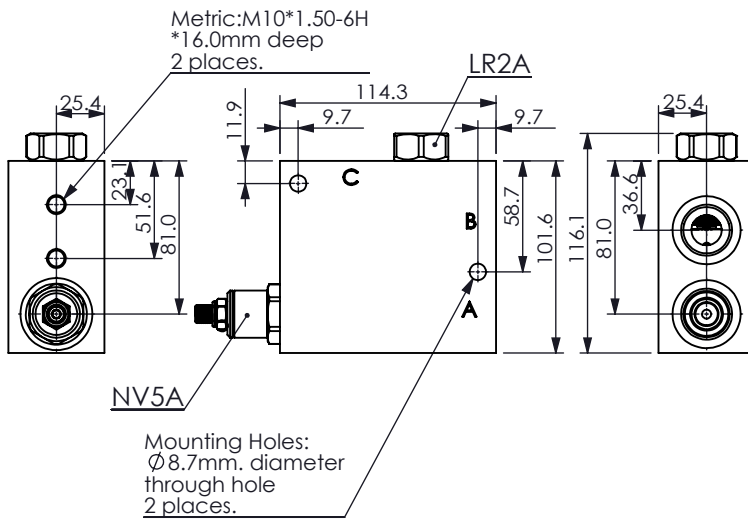
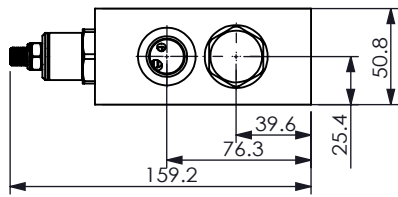
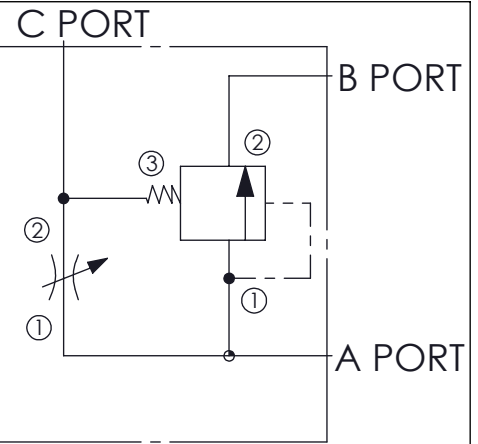


LINE MOUNT BODIES

Ordering Code: **ML-120-FRW-X-Y-Z-A01**



UNIT:mm



TECHNICAL DATA

Aluminum Body Pressure Rating: 210 bar

Steel Body Pressure Rating: 350 bar

Rated flow: 120 LPM

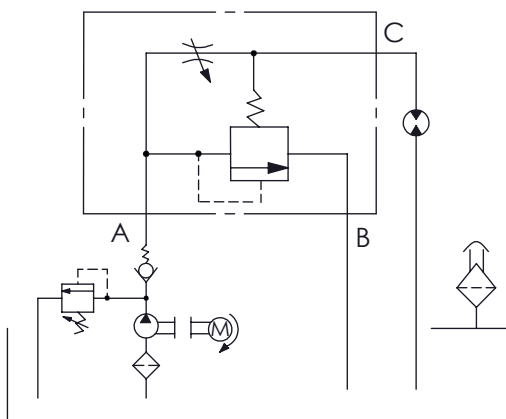
Cavity:
Refer to 5A2
2A3

* Refer to Winner Cartridge Valves Catalog.

Aluminum	1.8 kg(INCLUDE VALVES)
----------	------------------------

* If you need the special specification.
Please contact us.

TYPICAL CIRCUIT:
(WITHOUT RELIEF FUNCTION)



X

NEEDLE VALVES

5A2

CAVITY ONLY(WITHOUT VALVE)

NV127

NV5A28127L

Please refer to the list price of cartridge program.

Y

BYPASS COMPENSATOR

2A3

CAVITY ONLY(WITHOUT VALVE)

LR140

LR2A30140N(120LPM, $\Delta P=14\text{bar}$)

Please refer to the list price of cartridge program.

PORT SIZE

Z

PORTS

PORT

A,B

C

G06

G 3/4"

G 1/2"