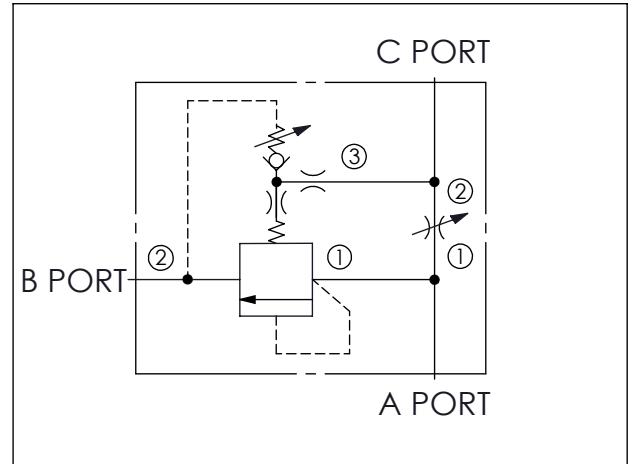


Ordering Code: **ML-120-FRW-X-Y-Z-A01**

UNIT:mm



### TECHNICAL DATA

Aluminum Body Pressure Rating: 210 bar

Steel Body Pressure Rating: 350 bar

Rated flow: 120 LPM

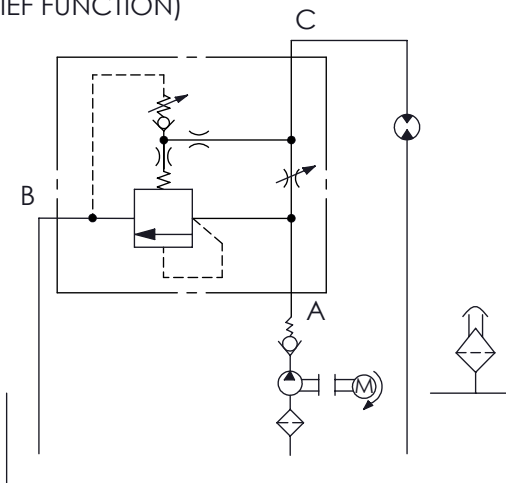
Cavity:  
Refer to 5A2  
2A3

\* Refer to Winner Cartridge Valves Catalog.

Aluminum	1.8 kg(INCLUDE VALVES)
----------	------------------------

\* If you need the special specification.  
Please contact us.

TYPICAL CIRCUIT:  
(WITH RELIEF FUNCTION)



**X**

### NEEDLE VALVES

<b>5A2</b>	CAVITY ONLY(WITHOUT VALVE)
------------	----------------------------

<b>NV127</b>	NV5A28127L
--------------	------------

Please refer to the list price of cartridge program.

**Z**

### PORT SIZE

Z	PORTS	PORT	
	A,B	C	
<b>G06</b>	G 3/4"	G 1/2"	

**Y** **BYPASS COMPENSATOR**

<b>2A3</b>	CAVITY ONLY(WITHOUT VALVE)
------------	----------------------------

<b>RVBA</b>	RV2A3BAL(80LPM, $\Delta P=8\text{bar}$ )
-------------	--

Please refer to the list price of cartridge program.