

### TECHNICAL DATA

Aluminum Body Pressure Rating: 210 bar

Steel Body Pressure Rating: 350 bar

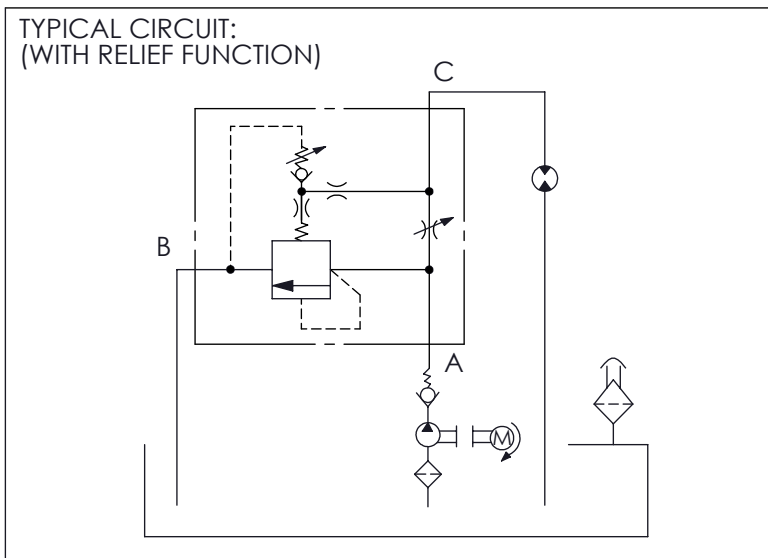
Rated flow: 240 LPM

Cavity:  
Refer to 16A2  
17A3

\* Refer to Winner Cartridge Valves Catalog.

Aluminum	4.6 kg(INCLUDE VALVES)

\* If you need the special specification.  
Please contact us.



**X**

### NEEDLE VALVES

**16A2** CAVITY ONLY(WITHOUT VALVE)

**NV175** NV16A28175L

Please refer to the list price of cartridge program.

**Z**

### PORT SIZE

**PORTS**

**PORT**

**A,B**

**C**

**G08**

G 1"

G 3/4"

**Y**

### BYPASS COMPENSATOR

**17A3** CAVITY ONLY(WITHOUT VALVE)

**RVBA** RV17A3BAL(160LPM,  $\Delta P=8\text{bar}$ )

Please refer to the list price of cartridge program.